

Linear guidance systems

Monorail guidance systems

Shaft and track roller guidance systems

Flat cage and recirculating roller guidance systems

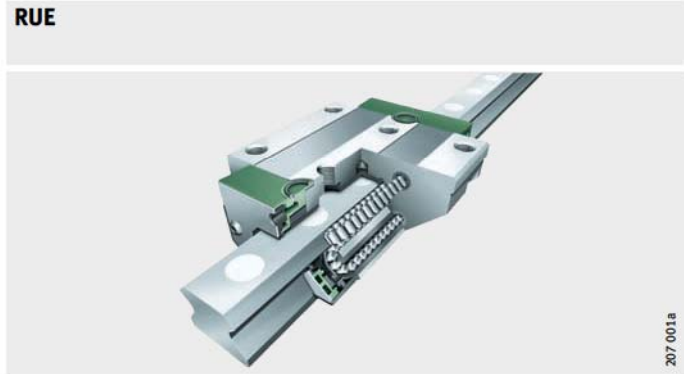
Miniature guidance systems

Driven linear units

Product overview **Monorail guidance systems**

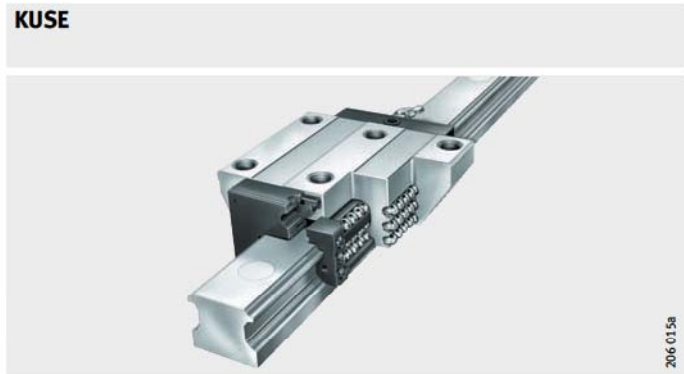
**Linear recirculating
roller bearing and
guideway assemblies**

RUE



**Linear recirculating
ball bearing and
guideway assemblies**

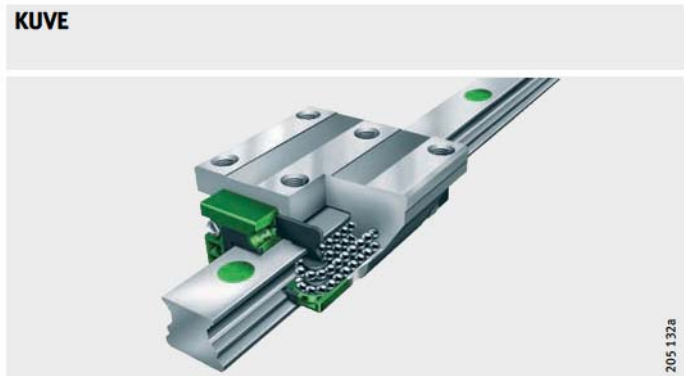
KUSE



Six-row

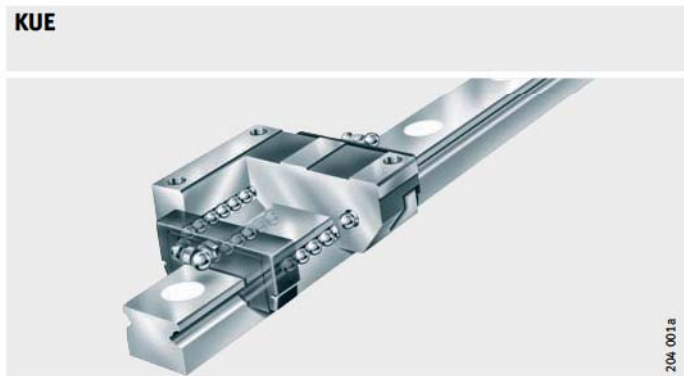
Four-row

KUVE



Two-row

KUE



Product overview Shaft and track roller guidance systems

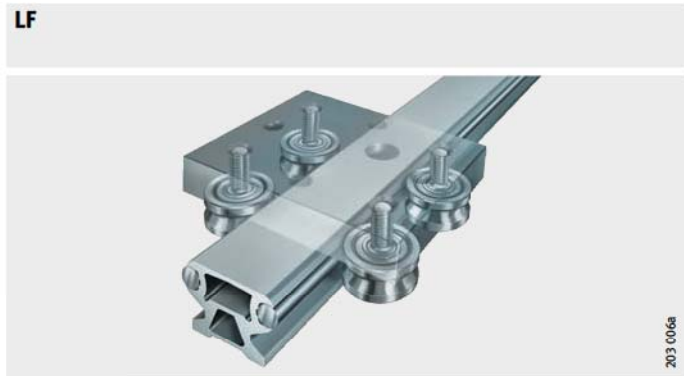
Shaft guidance systems

WF



Track roller guidance systems

LF



Product overview Flat cage and recirculating roller guidance systems

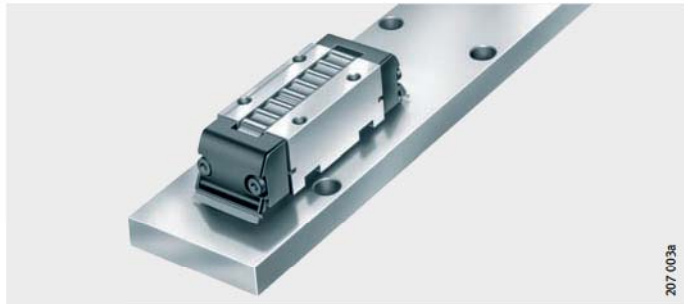
Flat cage guidance systems

M/V, ML/V, MVZ, J/S



Linear recirculating roller guidance systems

RUS, RUS..-KS, PR, RUSW

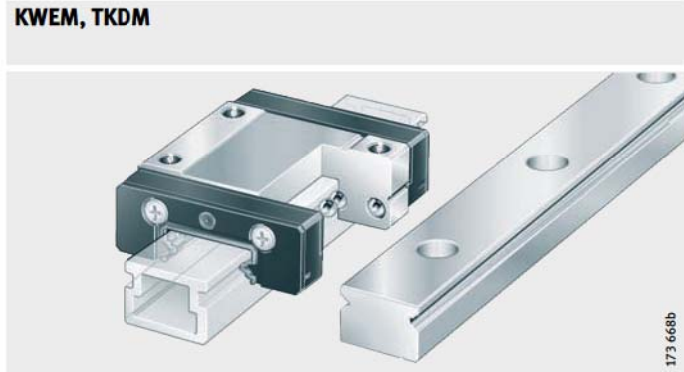


Product overview **Miniature guidance systems**

Miniature linear recirculating ball bearing and guideway assemblies

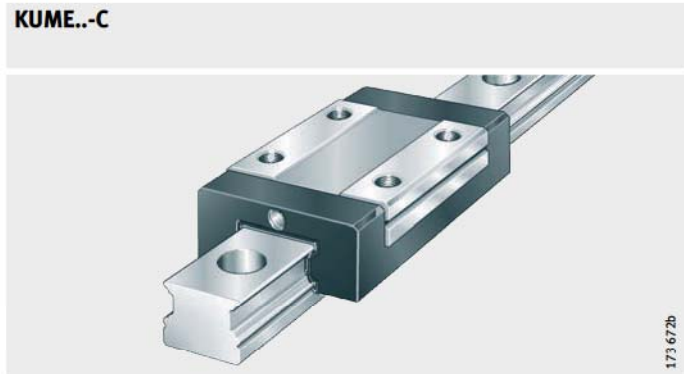
Two-row

KWEM, TKDM



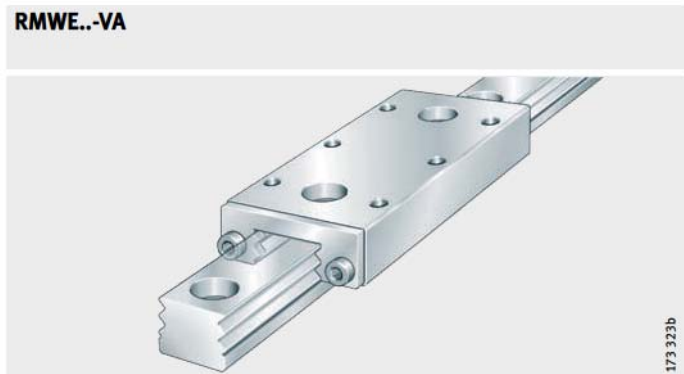
Four-row

KUME..-C



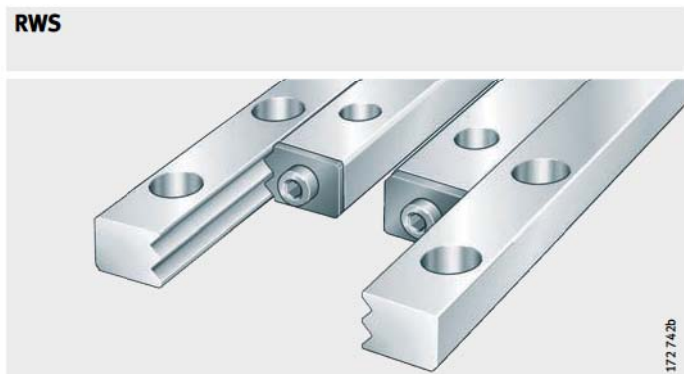
Miniature carriage units

RMWE..-VA



Miniature linear guidance sets

RWS

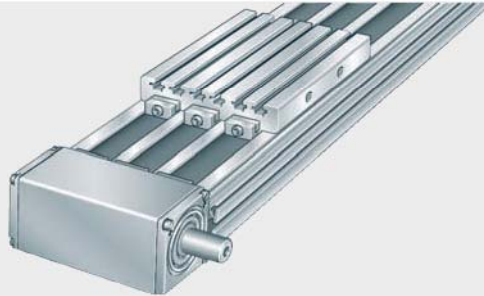


Product overview **Driven linear units**

Linear actuators

with linear recirculating ball bearing and guideway assemblies and toothed belt drive

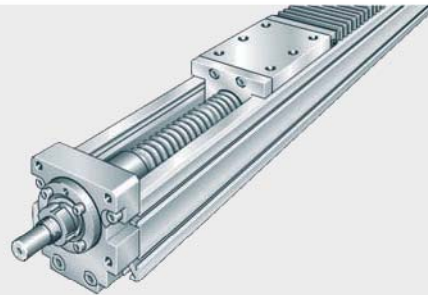
MKU..-ZR



172.859a

with linear recirculating ball bearing and guideway assemblies and ball screw drive

MKU..-KGT



172.470c

with linear recirculating ball bearing and guideway assemblies and direct drive

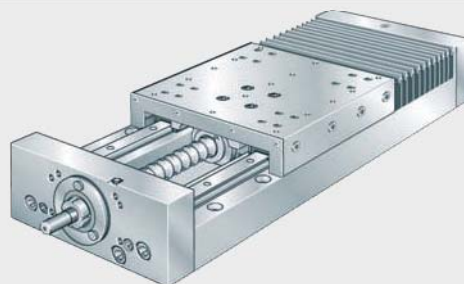
MKUVS42LM



211.059b

Linear tables
with and without drive

LT



172.412b