



## Lubricators

For grease and oil lubrication



# Foreword

## Automatic lubricators

The life of lubricants is limited. In their application, they are constantly exposed to mechanical loads, ageing and contamination. For this reason, it is necessary to supply fresh lubricant at defined time intervals and thereby ensure adequate lubrication. This helps to avoid consequential damage and reduces the risk of application failure.

With the automatic lubricators of the CONCEPT series, it is possible to supply almost all industrial machines and equipment precisely with oil or grease. The product range comprises simple and cost-effective single-point lubrication systems (CONCEPT1) as well as more complex lubrication systems for a larger number of lubrication points (CONCEPT2, CONCEPT4 and CONCEPT8). Due to versatile programmability and the possibility of constructing comprehensive lubrication solutions, there are hardly any limits for the user.

## Other products

The product range is supplemented by a wide range of accessories for automatic lubricators, manual lubricating tools, filled and unfilled lubricant cartridges specific to the customer and the Schaeffler lubricant program Arcanol. These lubricants stand for very high performance in rolling bearing and linear applications.

## Current product information always online

Current edition: February 2021.

The publication will be continuously modified and supplemented to reflect the expanding product range. In addition, the addition of further information on the design of lubrication systems is planned.

Download the current version:

- TPI 252 Lubricators for grease and oil lubrication  
<https://www.schaeffler.de/std/1D4E>

## Further information

Brochure:

- FBS Systematic Lubrication, Intelligent solutions for your systems engineering  
<https://www.schaeffler.de/std/1F5C>

Technical Product Information:

- TPI 168 Arcanol Rolling Bearing Greases  
<https://www.schaeffler.de/std/1F66>

Datasheet:

- FAS Arcanol Rolling Bearing Greases  
<https://www.schaeffler.de/std/1F67>

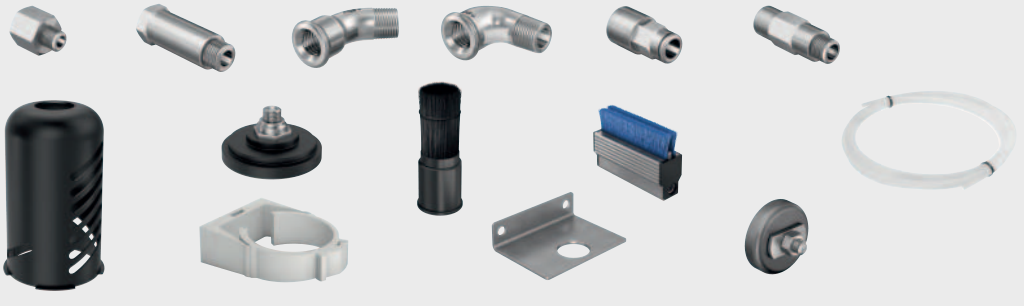
Websites:

- Arcanol lubricants, safety datasheets and technical datasheets  
<https://www.schaeffler.de/sds>
- Schaeffler website, lubricators  
<https://www.schaeffler.de/std/1F68>
- Schaeffler website, products and solutions for Industry 4.0  
<https://www.schaeffler.de/std/1F69>



# Contents

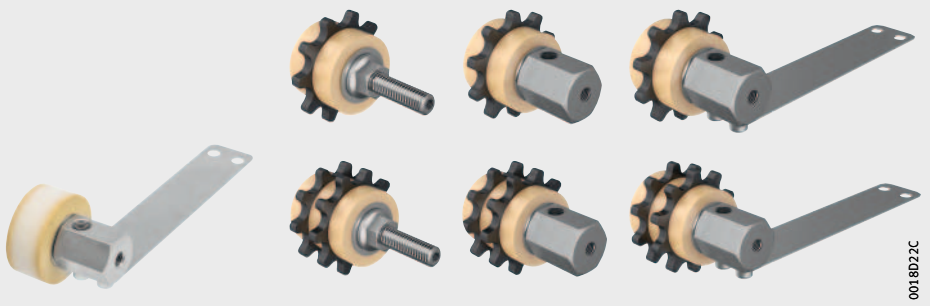
	Page
Tab index .....	4
Technical principles	
Connection scheme for automatic lubricators .....	6
System design .....	8
Electrochemical lubricators.....	13
CONCEPT1 .....	16
Accessories and spare parts.....	27
Demo case, starter kit .....	36
Electromechanical lubricators.....	39
CONCEPT2 .....	42
CONCEPT4 .....	48
CONCEPT8 .....	52
Cartridges.....	58
Voltage supply, device holders.....	68
Splitters, progressive distributors .....	71
Fittings, Y pieces, check valves.....	76
Hoses, hose cutters .....	84
Demo case, kits .....	86
Accessories for lubricant application .....	91
Lubrication gears .....	94
Chain lubrication pinions .....	102
Lubrication rollers.....	108
Manual lubrication tools.....	111
Lever grease gun.....	114
Drum pumps.....	118
Grease pistols.....	126
Transport aids.....	128
Appendix	
Article list	
Customer-specific lubrication gears and chain lubrication pinions (checklist)	



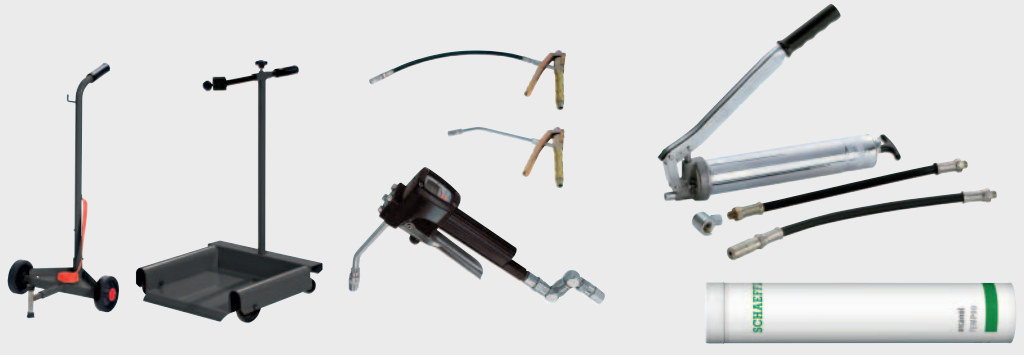
00180903



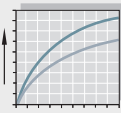
00190350



0018022C



0018023C



00015CE8

## Technical principles



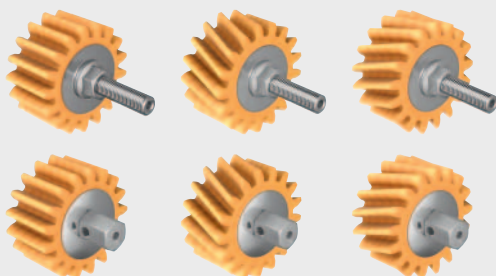
0018D24C

## Electrochemical lubricators



0018D25C

## Electromechanical lubricators



0018D26C

## Accessories for lubricant application



0018D27C

## Manual lubrication tools



000B2B25

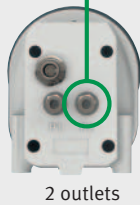
## Appendix

# Connection scheme for automatic lubricators

## Lubricator

## Connection variants

### CONCEPT2



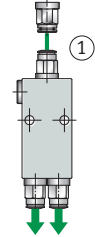
2 outlets

Pump body with 1 outlet

Hose, direct push fit

② Expansion to 2 outlets by splitter

Pump body with 1 outlet

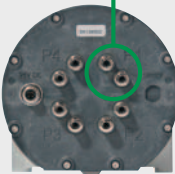


Hose, direct push fit

### CONCEPT4



### CONCEPT8



4 or 8 outlets

Pump body with 2 outlets

Hose, direct push fit

Not possible

Pump body with 2 outlets

Hose, direct push fit

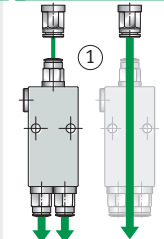
Reduction to 1 outlet by Y piece

Pump body with 2 outlets

Hose, direct push fit

② Expansion to 3 (max.4) outlets by splitter

Pump body with 2 outlets



Hose, direct push fit

① Hose, max. 0,3 m, direct push fit

00186615





# Lubrication point

## CONCEPT1



1 outlet

1 × thread,  
1 × push fit

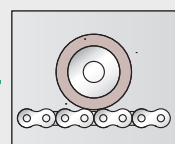
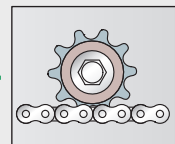
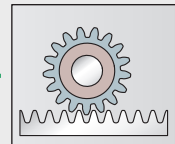
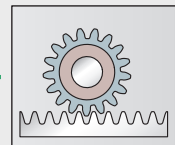
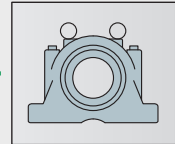
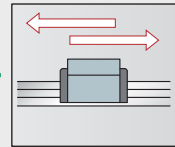
2 × thread

Hose length  
max. 0,5 m

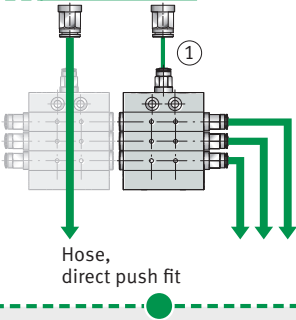
**Check valve**  
Push fit on both sides  
(required for oil only)

1 × push fit  
1 × thread

## Grease



② Expansion to  
4 (max. 6) outlets  
by **progressive distributor**  
Pump body  
with 2 outlets



Hose,  
direct push fit

③

③ Length of the lubricant line:

- $L_{max}$  (grease): calculation on following page
- $L_{max}$  (oil): 100 m

② Technical advice necessary

0018F605

# System design

## System design for CONCEPT1

The lubricant line connected to the lubricator CONCEPT1 must be kept as short as possible.

The maximum lubricant line length  $L_{\max}$  for lubrication with CONCEPT1 is (for approved lubricants):

- $L_{\max} = 0,5 \text{ m}$ .

## System design for CONCEPT2, CONCEPT4 and CONCEPT8

In the design of the lubrication system for the lubricators CONCEPT2, CONCEPT4 and CONCEPT8, the maximum lubricant line length must be calculated.

### Calculation of lubricant line length for grease lubrication

The maximum lubricant line length  $L_{\max}$  is dependent in the case of grease lubrication on:

- the delivery pressure of the lubricator
- the grease temperature
- the grease
- the inside diameter of the lubricant line
- the pause times between the pump strokes.

$L_{\max}$  is calculated as follows:

$$L_{\max} = \frac{p_{\max}}{p_L} \cdot K_S \cdot K_P$$

$L_{\max}$  m  
Maximum lubricant line length

$p_{\max}$  bar  
Delivery pressure of the lubricator,  
see table

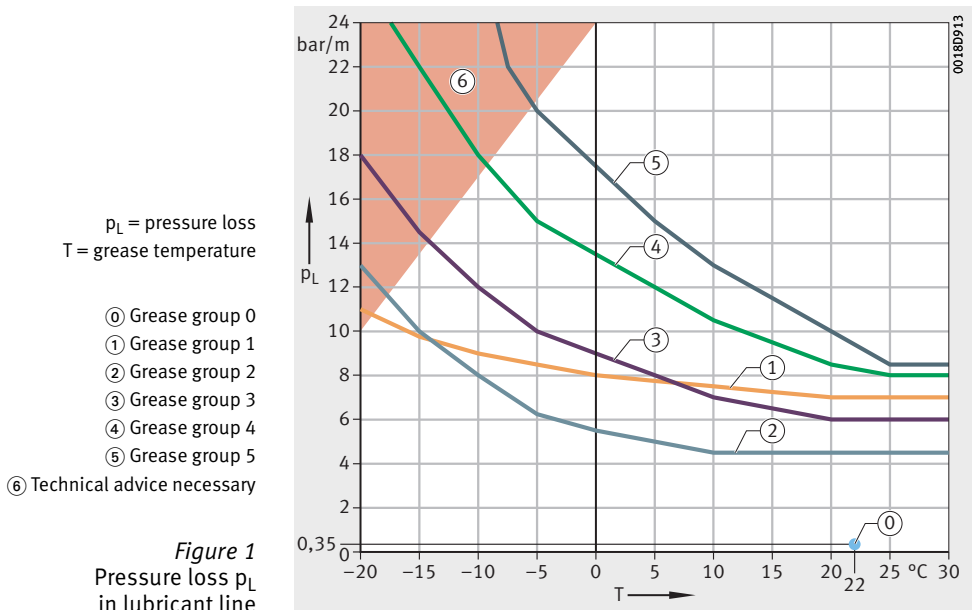
$K_S$  –  
Correction factor for inside diameter of lubricant line,  
see table, page 10

$K_P$  –  
Correction factor for pause time between pump strokes,  
see table, page 10

$p_L$  bar/m  
Pressure loss in lubricant line,  
*Figure 1, page 9.*

### Delivery pressure $p_{\max}$

Lubricator	$p_{\max}$ bar
CONCEPT2 (battery)	30
CONCEPT2 (DC 24 V)	50
CONCEPT4 (DC 24 V)	70
CONCEPT8 (DC 24 V)	70



### Grease groups of Arcanol greases

Grease group	Grease
0 <sup>1)</sup>	Arcanol SEMIFLUID
1	Arcanol FOOD2
	Arcanol MOTION2
	Arcanol SPEED2,6
2	Arcanol LOAD460
	Arcanol TEMP120
3	Arcanol LOAD150
	Arcanol LOAD220
	Arcanol LOAD400
	Arcanol MULTI2
	Arcanol MULTITOP
	Arcanol TEMP110
	Arcanol TEMP200
4	Arcanol CLEAN-M
	Arcanol LOAD1000
	Arcanol MULTI3
	Arcanol TEMP90
5	Arcanol VIB3

<sup>1)</sup> Follow the guidelines on grease group 0, see page 10.

# System design

## Correction factor $K_S$

Inside diameter of lubricant line mm	$K_S$
5	1
4	0,65
2,5 <sup>1)</sup>	0,35

<sup>1)</sup> Diameter only permissible for grease group 0.

## Correction factor $K_P$

Pause time between 2 pump strokes h	$K_P$
$\geq 3$	1
$< 3$	0,65



The procedure described here for calculating the maximum lubricant line length is only valid for a simple lubricant line without additional components such as splitters, progressive distributors or angled hose connector parts.

## Guidelines on grease group 0

The following applies to grease group 0:

- The lubricating grease Arcanol SEMIFLUID is approved for use with all Schaeffler monorail guidance systems in combination with the CONCEPT devices.
- Calculation of the lubricant line length is currently only validated for an operating temperature of +22 °C.
- Lubricant line length  $> 30$  m only after consultation with Schaeffler.
- Use of alternative lubricants (NLGI 1, NLGI 2) only after consultation with Schaeffler.
- Lubricant line inside diameter of 2,5 mm should be used in preference. When used in combination with Schaeffler DuraSense, for example, this diameter provides the following advantages:
  - faster lubricant delivery
  - optimised distribution of grease to the end pieces of the carriages.



**Design example** Design example for lubricant line length with grease lubrication.

Initial data:

- lubricator CONCEPT8 (DC 24 V)
- grease temperature = +20 °C
- Arcanol MULTITOP
- inside diameter of hose = 5 mm
- pause time between 2 pump strokes = 5 h.

Calculation of the maximum lubricant line length  $L_{\max}$ :

- delivery pressure  $p_{\max} = 70$  bar
- pressure loss  $p_L = 6$  bar/m
- correction factor  $K_S = 1$
- correction factor  $K_P = 1$
- maximum lubricant line length  $L_{\max} \approx 11,6$  m.

**Lubricant line length for oil lubrication**

For oil lubrication with lubricators CONCEPT2, CONCEPT4 and CONCEPT8, the maximum lubricant line length  $L_{\max}$  is:

- $L_{\max} = 100$  m.





## Electrochemical lubricators

CONCEPT1  
Accessories and spare parts  
Demo case, starter kit

# Electrochemical lubricators

## **CONCEPT1** ..... **16**

The lubricators CONCEPT1 to protection class IP68, which are certified for use in explosion-proof environments, offer a cost-effective and versatile solution for supplying equipment with grease or oil.

The lubricant is dispensed using gas pressure, which is built up by means of an electrochemical drive unit. An external voltage supply is not required.

The lubricators are available filled with selected Arcanol lubricants or unfilled.

As each lubricator can be filled multiple times (only the drive unit must be replaced when refilling), the CONCEPT1 is particularly sustainable.

---

## **Accessories and spare parts** ..... **27**

An extensive range of reducing nipples, connectors, extensions and hose connector parts are available for connecting the lubricators.

Additional accessories, such as tools for lubricating special applications (brushes) or special device holders, are also available. Spare parts, such as seals, are also offered.

---

## **Demo case, starter kit** ..... **36**

The demo case is particularly suitable for the External Sales function. It contains both sizes of the lubricator CONCEPT1 and an extensive selection of accessories.

Kits containing lubricators and selected accessories are also offered for defined application purposes.





0018CAF



0018D927



0018CB00

# CONCEPT1

**CONCEPT1,  
filled with Arcanol lubricant**

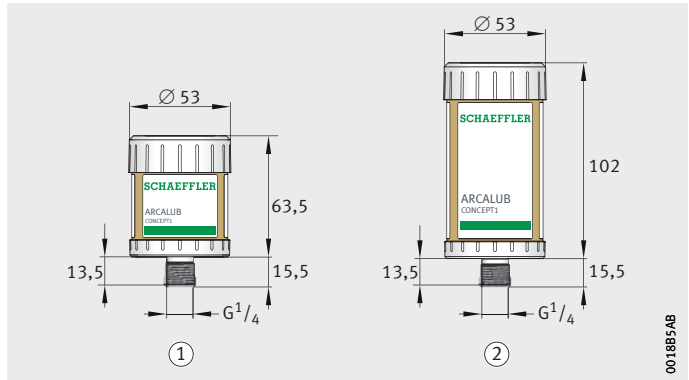
- ① ARCALUB-C1-60  
(lubricant volume: 60 cm<sup>3</sup>)
- ② ARCALUB-C1-125  
(lubricant volume: 125 cm<sup>3</sup>)

*Figure 1*  
CONCEPT1



- ① ARCALUB-C1-60
- ② ARCALUB-C1-125

*Figure 2*  
Dimensions



Advantages of the lubricator  
CONCEPT1

- flexible:  
the customer can choose between lubricators filled with Arcanol lubricant from Schaeffler and unfilled lubricators that can be filled with the customer's own lubricant
- sustainable:  
the lubricators can be filled up to three times and are kind to the environment
- cost-effective:  
good price/performance ratio compared with other lubricators of the same device class
- simple conversion:  
as no special tools are required, the conversion to automatic lubrication with CONCEPT1 is very simple
- ATEX certification:  
safe lubrication in potentially explosive environments.



Further information

Brochures:

- ICA CONCEPT1, The lubrication system that gets straight to the point  
<https://www.schaeffler.de/std/1F5D>
- FBS Systematic Lubrication, Intelligent solutions for your systems engineering  
<https://www.schaeffler.de/std/1F5C>

User manuals:

- BA 69 CONCEPT1  
<https://www.schaeffler.de/std/1F4C>

# CONCEPT1

## Type overview CONCEPT1 (grease lubrication)

With drive unit, prefilled for grease lubrication			
Lubricant	Volume cm <sup>3</sup>	Ordering number	Ordering designation
Arcanol FOOD2	60	095249290-0000-10	ARCALUB-C1-60-FOOD2
Arcanol LOAD220	60	095249273-0000-10	ARCALUB-C1-60-LOAD220
Arcanol LOAD400	60	095249249-0000-10	ARCALUB-C1-60-LOAD400
Arcanol MULTI2	60	095249230-0000-10	ARCALUB-C1-60-MULTI2
Arcanol MULTITOP	60	095249222-0000-10	ARCALUB-C1-60-MULTITOP
Arcanol TEMP110	60	095249214-0000-10	ARCALUB-C1-60-TEMP110
Arcanol FOOD2	125	095248897-0000-10	ARCALUB-C1-125-FOOD2
Arcanol LOAD150	125	095731784-0000-10	ARCALUB-C1-125-LOAD150
Arcanol LOAD220	125	095248870-0000-10	ARCALUB-C1-125-LOAD220
Arcanol LOAD400	125	095248854-0000-10	ARCALUB-C1-125-LOAD400
Arcanol LOAD460	125	095248838-0000-10	ARCALUB-C1-125-LOAD460
Arcanol MULTI2	125	095248820-0000-10	ARCALUB-C1-125-MULTI2
Arcanol MULTITOP	125	095248811-0000-10	ARCALUB-C1-125-MULTITOP
Arcanol TEMP110	125	095248200-0000-10	ARCALUB-C1-125-TEMP110


10 pieces per packaging unit.

## Type overview CONCEPT1 (oil lubrication)

With drive unit, prefilled for oil lubrication			
Lubricant	Volume cm <sup>3</sup>	Ordering number	Ordering designation
Arcanol CHAIN-OIL	125	095248900-0000-10	ARCALUB-C1-125-CHAIN-OIL
Arcanol FOOD-OIL	125	095248889-0000-10	ARCALUB-C1-125-FOOD-OIL

10 pieces per packaging unit.

## Technical data CONCEPT1

Feature		Value
Dimensions	60 cm <sup>3</sup>	80 mm×52 mm×52 mm
	125 cm <sup>3</sup>	120 mm×52 mm×52 mm
Mass (without lubricant)	60 cm <sup>3</sup>	≈ 65 g
	125 cm <sup>3</sup>	≈ 80 g
Mounting position		As required
Protection class		IP68
Explosion protection classification	Certificate	DEKRA 20ATEX0032X
		II 1G Ex ia IIC T6 Ga
		II 1D Ex ia IIIC T80 °C Da
	I M1 Ex ia I Ma	
Housing material		Polyethylene terephthalate (PET)
Lubricant volume		60 cm <sup>3</sup> or 125 cm <sup>3</sup>
Lubricant	Grease	Arcanol range up to NLGI 2, other greases by agreement
	Oil	> 68 cSt
Dispensing time (steplessly adjustable)		1 month up to 12 months
Functional principle		Gas drive
Operating pressure		≤ 5 bar
Number of outlets		1 (threaded connector G <sup>1</sup> / <sub>4</sub> )
Number of lubrication points		1 (direct), branching not permitted
Operating temperature		-20 °C up to +55 °C



## Use in potentially explosive atmospheres



The lubricator CONCEPT1 has been tested in accordance with the ATEX product directive 2014/34/EU of the European Union and has approvals for use in almost all potentially explosive environments. The approvals issued in accordance with this directive are specified in the technical data, see table, page 19.

According to the ATEX operating directive 1999/92/EC, the customer is responsible for assessing the zone in which the device is to be used. Regardless of this, we recommend that the customer contact Schaeffler for an alignment of his explosion protection requirements with the features of lubricator CONCEPT1.

# CONCEPT1

## CONCEPT1, unfilled



Figure 3  
CONCEPT1  
(unfilled)

Unfilled lubricators CONCEPT1 can be filled by the actual customer. This permits the additional flexible use of the lubricators for customer-specific lubricants. Before using customer-specific lubricants, please arrange for Schaeffler to check their suitability. The lubricator may be filled a maximum of three times. If further filling operations are carried out, the correct functioning of the lubricator cannot be ensured.

### Type overview CONCEPT1 (unfilled)

Lubricant	Volume cm <sup>3</sup>	Ordering number	Ordering designation
-	60	095166050-0000-10	ARCALUB-C1-60-REFILLABLE
-	125	095166076-0000-10	ARCALUB-C1-125-REFILLABLE

10 pieces per packaging unit.

### Scope of delivery

A delivery of unfilled CONCEPT1 lubricators contains (10× each):

- housing
- drive unit
- scale
- closing plug.

**Refilling kit** A refilling kit comprising drive unit, scale, closing plug and adhesive label is required for the second and third filling operation.  
All CONCEPT1 lubricators are suitable for a second and third filling operation, irrespective of whether they were purchased as a prefilled or unfilled version.



**Type overview  
Refilling kits**

Suitable lubricator	Ordering number	Ordering designation
ARCALUB-C1-60	095287523-0000-10	ARCALUB-C1.DRYCELL-KIT-60
ARCALUB-C1-125	095287540-0000-10	ARCALUB-C1.DRYCELL-KIT-125

10 pieces per packaging unit.

**Scope of delivery** A refilling kit contains (10× each):

- drive unit
- scale
- closing plug
- adhesive label.

# CONCEPT1

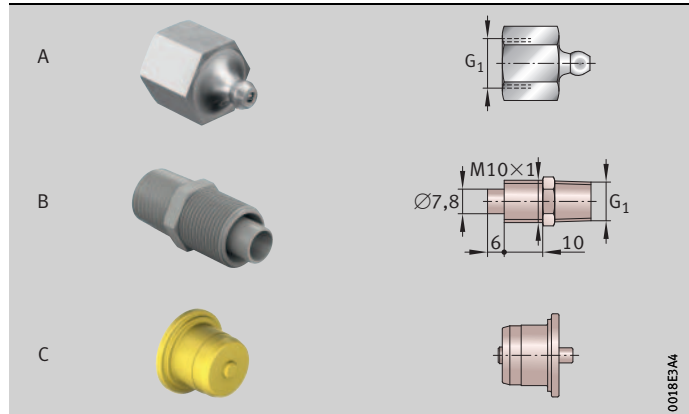
## Filling accessories

Special refill nipples are available for filling by lever grease gun or drum pump, see table and *Figure 4*, page 23.

The lubricator is:

- sealed after filling with oil using a check plug valve available as an optional accessory, see table. The closing plug is then no longer required.
- sealed after filling with grease using the closing plug. The closing plug is included with unfilled lubricators and in the refilling kit and is additionally available as a spare part, see page 34.

## Type overview Filling accessories



Type	Thread	Ordering number	Ordering designation
	G <sub>1</sub>		
A	Refill nipple (lever grease gun)	G <sup>1</sup> / <sub>4</sub>	095248170-0000-10 <sup>1)</sup> ARCALUB-C1.NIPPLE-REFILL-G1/4
B	Refill nipple (drum pump)	R <sup>1</sup> / <sub>4</sub>	095248161-0000-10 <sup>2)</sup> ARCALUB-C1.NIPPLE-REFILL-GREASE-R1/4
		R <sup>3</sup> / <sub>8</sub>	095248137-0000-10 <sup>2)</sup> ARCALUB-C1.NIPPLE-REFILL-GREASE-R3/8
C	Check plug valve	–	095286780-0000-10 <sup>3)</sup> ARCALUB-C1.PLUG-OIL-VALVE

1) 3 pieces per packaging unit.

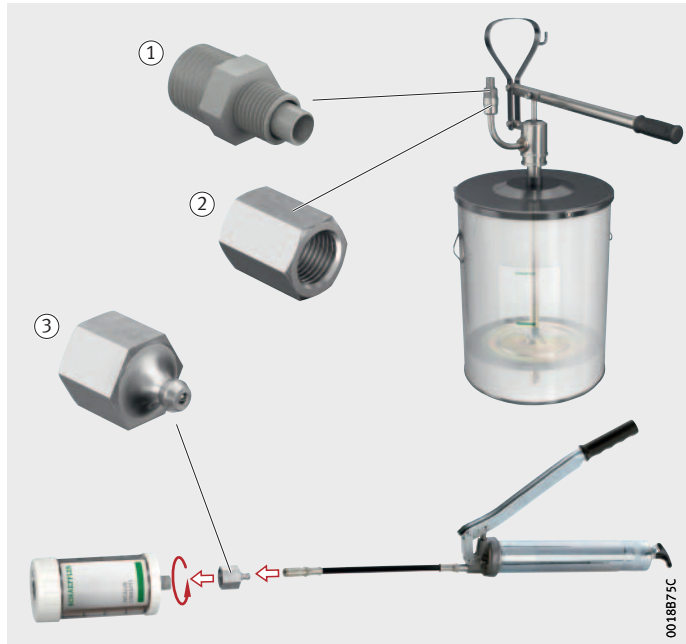
2) 1 piece per packaging unit.

3) 10 pieces per packaging unit.



- ① Refill nipple  
(for drum pump)
- ② Connecting piece  
(for drum pump)
- ③ Refill nipple  
(for lever grease gun)

*Figure 4*  
Refilling the lubricator by  
lever grease gun or drum pump



Suitable lever grease guns and drum pumps with accessories (including the connecting piece) can also be obtained from Schaeffler, see section Manual lubrication tools, page 111.

# CONCEPT1

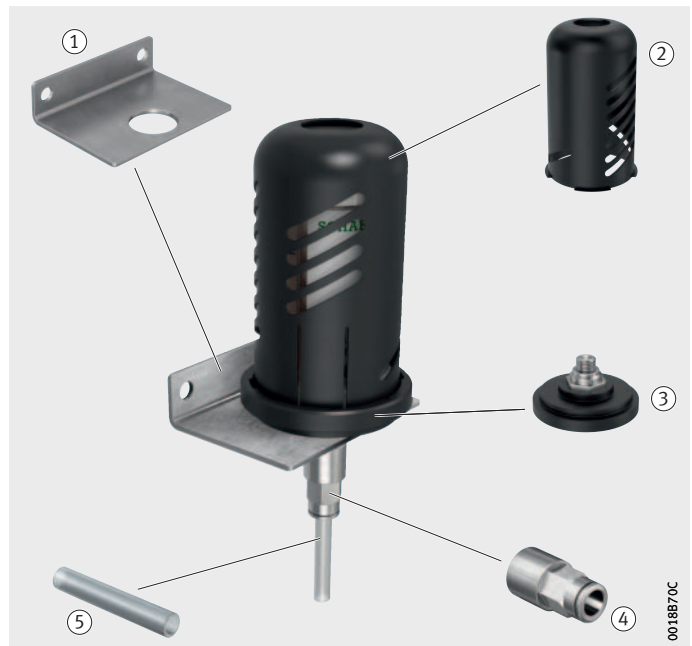
## Mounting examples

An extensive range of accessories, see page 27 onwards, allows the lubricators to be used in numerous areas of application. The use of the appropriate accessory for connection and location is essential for the correct and safe operation of the lubricators.



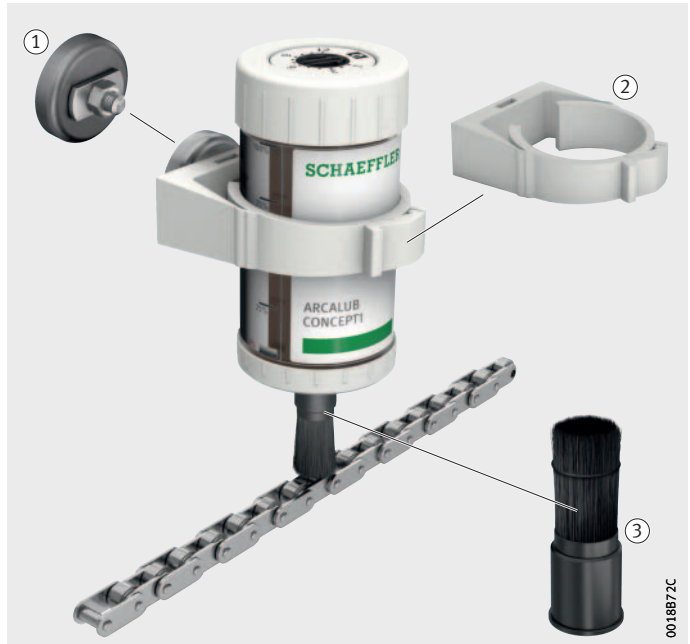
- ① Reducing nipple

*Figure 5*  
Lubrication of a rolling bearing in the bearing housing



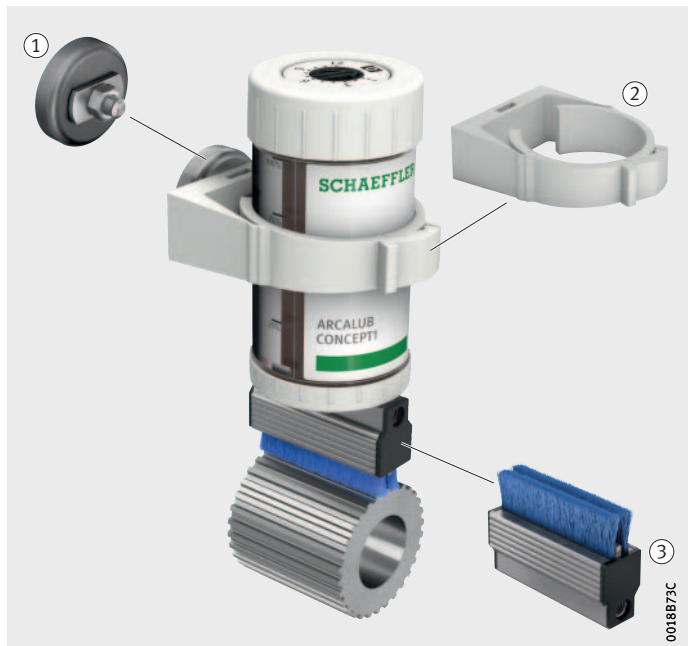
- ① Fixing bracket
- ② Protective cover
- ③ Mounting support
- ④ Hose connector part with internal thread, see page 29
- ⑤ Hose

*Figure 6*  
Mounting using fixing bracket and protective cover



- ① Magnetic foot
- ② Retaining clamp
- ③ Brush, round

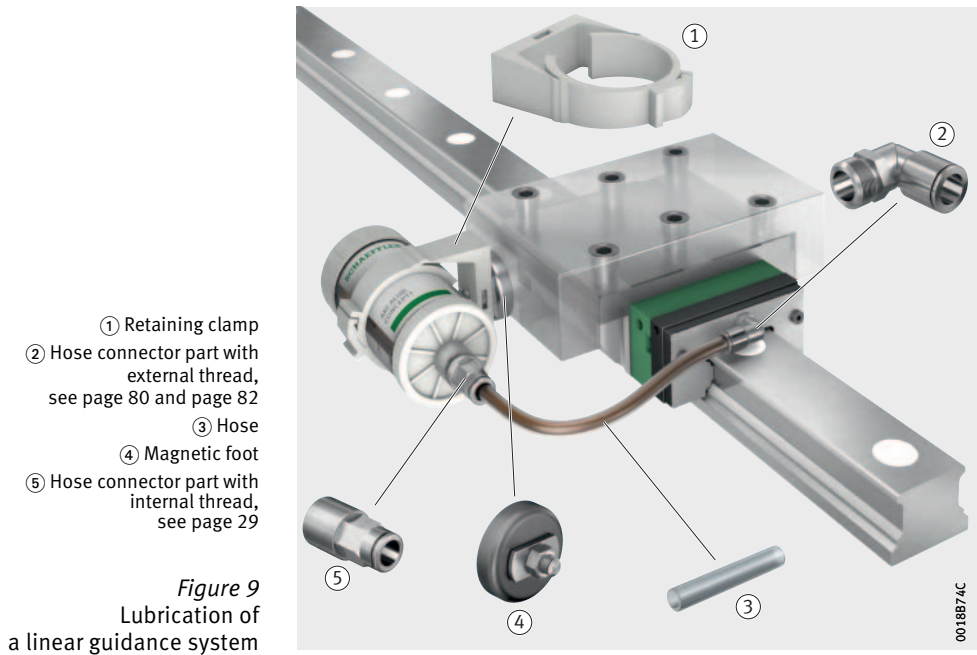
*Figure 7*  
Lubrication of a chain



- ① Magnetic foot
- ② Retaining clamp
- ③ Brush for the food industry

*Figure 8*  
Lubrication of a gear tooth set

## CONCEPT1



# Accessories and spare parts

## Reducing nipples

Reducing nipples are required in order to be able to use the lubricators at lubrication points with different threaded connectors.

At one end, the reducing nipples have an internal thread  $G^{1/4}$ , into which the lubricator is screwed. At the other end of the reducing nipples is an external thread, that is selected according to the threaded connector of the application and screw mounted accordingly.



### Type overview Reducing nipples

Thread	Ordering number	Ordering designation
$G_1$		
$G^{1/8}$	095285792-0000-10	ARCALUB-C1.NIPPLE-G <sup>1</sup> / <sub>8</sub> -G <sup>1</sup> / <sub>4</sub>
$G^{1/4}$	095285784-0000-10	ARCALUB-C1.NIPPLE-G <sup>1</sup> / <sub>4</sub> -G <sup>1</sup> / <sub>4</sub>
$G^{3/8}$	095285806-0000-10	ARCALUB-C1.NIPPLE-G <sup>3</sup> / <sub>8</sub> -G <sup>1</sup> / <sub>4</sub>
M6	095286071-0000-10	ARCALUB-C1.NIPPLE-M6-G <sup>1</sup> / <sub>4</sub>
M8	095286080-0000-10	ARCALUB-C1.NIPPLE-M8-G <sup>1</sup> / <sub>4</sub>
M8×1	095301585-0000-10	ARCALUB-C1.NIPPLE-M8X1-G <sup>1</sup> / <sub>4</sub>
M10	095286101-0000-10	ARCALUB-C1.NIPPLE-M10-G <sup>1</sup> / <sub>4</sub>
M10×1	095286721-0000-10	ARCALUB-C1.NIPPLE-M10X1-G <sup>1</sup> / <sub>4</sub>
M12	095286730-0000-10	ARCALUB-C1.NIPPLE-M12-G <sup>1</sup> / <sub>4</sub>
M12×1,5	095286748-0000-10	ARCALUB-C1.NIPPLE-M12X1,5-G <sup>1</sup> / <sub>4</sub>
UNF <sup>1</sup> / <sub>4</sub>	095286756-0000-10	ARCALUB-C1.NIPPLE-UNF <sup>1</sup> / <sub>4</sub> -G <sup>1</sup> / <sub>4</sub>

10 pieces per packaging unit.

## Extensions

Extensions are screwed into place between the lubricator and the lubrication point if a direct connection is not possible due to the adjacent construction.

### Type overview Extensions

Length L mm	Ordering number	Ordering designation
35	095285725-0000-10	ARCALUB-C1.EXTEND-35MM-G <sup>1</sup> / <sub>4</sub>
50	095285733-0000-10	ARCALUB-C1.EXTEND-50MM-G <sup>1</sup> / <sub>4</sub>


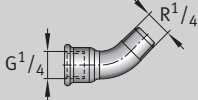

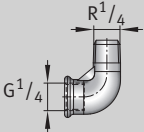
10 pieces per packaging unit.

# Accessories and spare parts

## Connecting pieces

Connecting pieces are screwed into place between the lubricator and the lubrication point if a direct connection is not possible due to the adjacent construction.

### Type overview Connecting pieces

A			
B			
Type	Angle °	Ordering number	Ordering designation
A	45	095285393-0000-10	ARCALUB-C1.CONNECT-45-G1/4-IA
B	90	095285407-0000-10	ARCALUB-C1.CONNECT-90-G1/4-IA

10 pieces per packaging unit.

## Hoses


Examples of applications in which hoses can be used to connect the lubricator and lubrication points:

- The lubrication point is exposed to strong vibrations.
- The lubrication point is behind a barrier.
- The lubricator cannot be mounted directly at the lubrication point due to excessive temperatures.

The maximum length of the lubricant line when using CONCEPT1 is 0,5 m.

Before initial operation of the lubricator, the hose must be completely filled with the same lubricant that is contained in the lubricator.


### Type overview Hose

Hose made of PA12, unfilled, transparent, operating temperature = -40 °C to +90 °C, minimum bending radius = 50 mm			
			
Cross-section mm	Length L m	Ordering number	Ordering designation
8×6	5	095285750-0000-10	ARCALUB-C1.HOSE-8X6-PA12-5M

## Check valves

Check valves are used with oil lubrication to prevent the filled lubricant lines from leaking.

### Type overview Check valve

Only suitable for oil		
		
Width across flats W mm	Ordering number	Ordering designation
17	095287515-0000-10	ARCALUB-C1.CONNECT-OIL-VALVE-G1/4

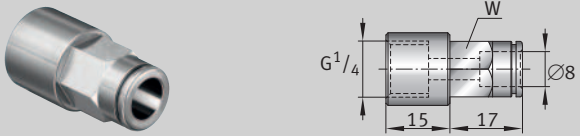


## Hose connector parts

In order to be able to connect a hose to a CONCEPT1 lubricator, a hose connector part with internal thread  $G^{1/4}$  is screwed onto the lubricator.

The hose connector part can be used in conjunction with a device holder, see page 31.

### Type overview Hose connector part

Push-fit hose, hose insertion depth 10 mm, hose diameter 8 mm, flat sealing over sealing ring		
		
Width across flats W mm	Ordering number	Ordering designation
13	095287051-0000-10	ARCALUB-C1.TUBEFIT-G1/4I-SAT148G

10 pieces per packaging unit.

### Further hose connector parts for CONCEPT1

With external thread:

- straight, see table, page 80
  - ARCALUB-X.TUBEFIT-G1/8-SAT188G
  - ARCALUB-X.TUBEFIT-G1/4-SAT148G
- angled, see table, page 82:
  - ARCALUB-X.TUBEFIT-G1/8-SAT188W
  - ARCALUB-X.TUBEFIT-G1/4-SAT148W.

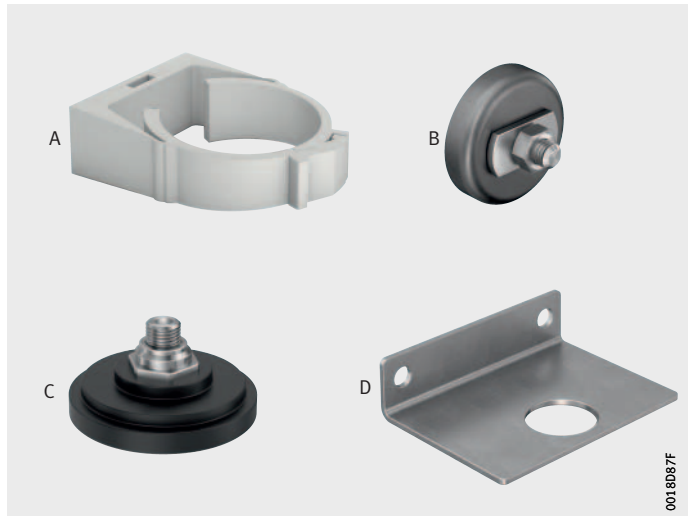
The hose connector parts with external thread are intended for connection to the lubrication point.

## Accessories and spare parts

### Device holders

The device holders facilitate the mounting of the lubricator CONCEPT1.

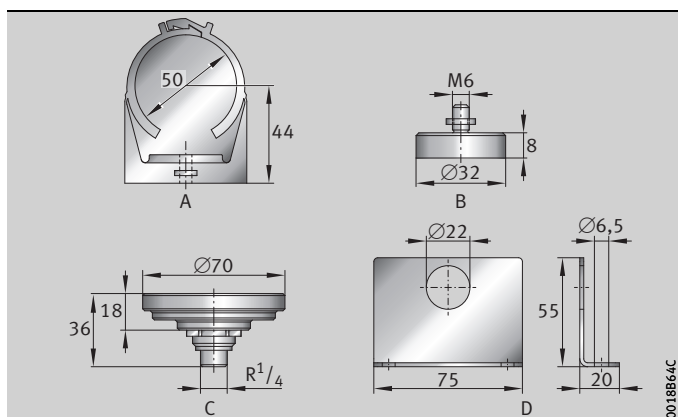
The retaining clamp can either be screwed directly onto a machine or located using the magnetic foot. Where strong vibrations occur at the mounting position, use of the mounting support is recommended as an aid. The fixing bracket is used in conjunction with the mounting support.



*Figure 1*  
Device holders



**Type overview  
Device holders**



Type	Ordering number	Ordering designation
A Retaining clamp for CONCEPT1	095285377-0000-10 <sup>1)</sup>	ARCALUB-C1.CLAMP
B Magnetic foot for retaining clamp	095285385-0000-10 <sup>2)</sup>	ARCALUB-C1.CLAMP-MAGNET
C Mounting support for CONCEPT1	095285768-0000-10 <sup>2)</sup>	ARCALUB-C1.MOUNT-SUPPORT-R1/4
D Fixing bracket for CONCEPT1	095285741-0000-10 <sup>3)</sup>	ARCALUB-C1.FIXING-ANGLE

1) 3 pieces per packaging unit.

2) 1 piece per packaging unit.

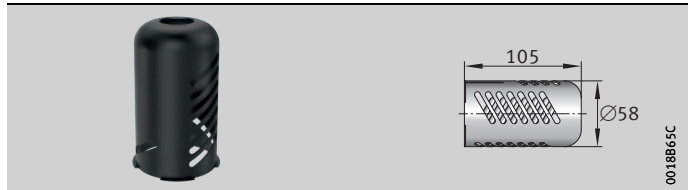
3) 5 pieces per packaging unit.

# Accessories and spare parts

## Protective accessories

To protect the lubricator from falling parts or shocks, a protective cover can be fitted on the mounting support.

### Type overview Protective accessories



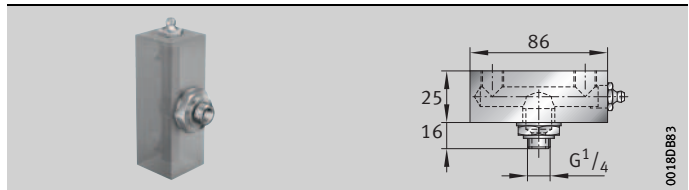
Type	Ordering number	Ordering designation
Protective cover for lubricator	095285717-0000-10	ARCALUB-C1.COVER

## 2-way adapter

With 2-way adapters, the capacity of two lubricators can be combined at one lubrication point. As a result, either twice the lubricant quantity can be dispensed per unit of time or the dispensing time can be doubled.

This must be prefilled with the same lubricant contained in the connected lubricators, via the lubrication nipple on the side of the adapter, before initial operation.

### Type overview 2-way adapter



Type	Ordering number	Ordering designation
2-way adapter	095285326-0000-10	ARCALUB-C1.ADAPTER-TWIN



## Brushes

Brushes are used for the continuous lubrication of gear teeth, drive chains and conveyor chains. They are available in various sizes and thus cover a wide range of different applications.

The type B brushes are suitable for use in the food industry. A felt insert is located between the two rows of bristles, which ensures that the lubricating oil is evenly distributed over the entire width of the brush.

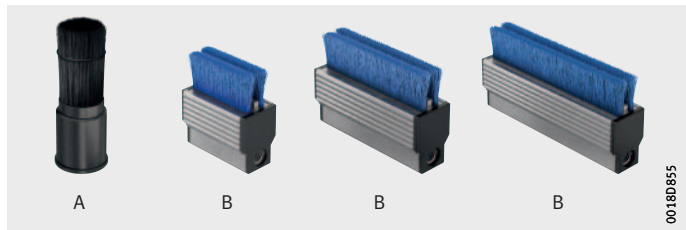
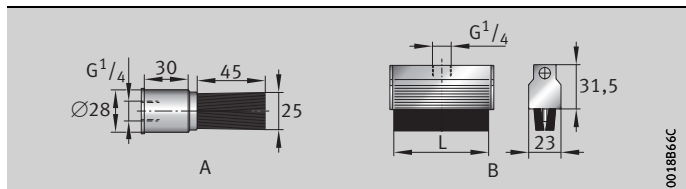


Figure 2  
Brushes

## Type overview Brushes



Type	Brush	Length L mm	Ordering number	Ordering designation
A	Round	–	095285334-0000-10	ARCALUB-C1.BRUSH-25MM-G1/4-G
B	For the food industry	40	095285342-0000-10	ARCALUB-C1.BRUSH-40MM-G1/4-G
		70	095285350-0000-10	ARCALUB-C1.BRUSH-70MM-G1/4-G
		100	095285369-0000-10	ARCALUB-C1.BRUSH-100MM-G1/4-G

## Accessories and spare parts

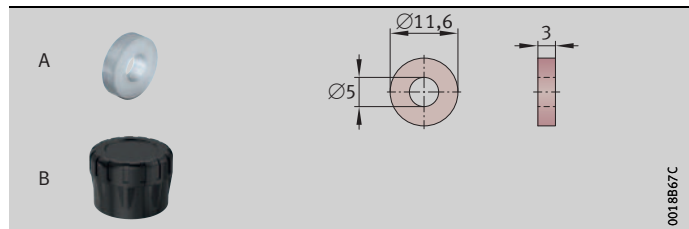
### Spare parts

If sealing rings are absolutely necessary, for example in the case of hose connector parts or brushes, they are already included in the scope of delivery for these components. In the event of wear or loss, sealing rings can then be ordered as spare parts.

In some applications, such as those involving very thin-bodied lubricating greases or high back pressure in the lubricant line, sealing rings may be required when using reducing nipples, extensions or connecting pieces. In these cases, the sealing rings must be ordered separately.

Closing plugs are already included with all lubricators as well as in the refilling kit, see page 21. They can also be ordered as spare parts, so that they are available, for example, if a lubricator that is still usable is dismantled in the interim.

### Type overview Spare parts



Type	Ordering number	Ordering designation
A   Sealing ring (plastic)	095286802-0000-10	ARCALUB-C1.SEAL
B   Closing plug (plastic)	095287043-0000-10	ARCALUB-C1.SEAL-CAP

10 pieces per packaging unit.



# Demo case, starter kit

## Demo case



*Figure 1*  
Demo case for  
CONCEPT1

The demo case is particularly suitable for the External Sales function. It contains both sizes of the lubricator CONCEPT1 and an extensive selection of accessories. It can be used to explain the design and function of a lubrication system to the customer and to give an impression of the high quality design of all components.

## Type overview Demo case

Type	Ordering number	Ordering designation
Demo case CONCEPT1	095287558-0000-10	DEMO-ARCALUB-C1-SET

Scope of delivery  
Demo case CONCEPT1

- lubricator ARCALUB-C1-60-REFILLABLE and ARCALUB-C1-125-REFILLABLE
- scale
- drive unit
- protective cover
- 2-way adapter
- mounting support
- pedestal for presenting the lubricator
- retaining clamp
- magnetic foot for retaining clamp
- adjustable wrench
- fixing bracket
- brush, round
- brush for the food industry, 70 mm
- sealing ring (2 pieces)
- closing plug (2 pieces)
- check plug valve (2 pieces)
- hose piece, transparent, diameter = 8 mm
- hose connector part with internal thread G<sup>1/4</sup>, straight
- hose connector part with external thread (1×G<sup>1/8</sup>, 1×G<sup>1/4</sup>), straight
- hose connector part with external thread G<sup>1/4</sup>, angled
- connection nipple G<sup>3/8</sup>
- connecting piece G<sup>1/4</sup> (1×45°, 1×90°)
- check valve
- extension G<sup>1/4</sup> (1×35 mm, 1×50 mm)
- lubrication nipple R<sup>1/4</sup>
- refill nipple for drum pump (1×R<sup>1/4</sup>, 1×R<sup>3/8</sup>)
- refill nipple G<sup>1/4</sup> for grease gun
- reducing nipple on bracket (10 pieces with various thread sizes).



## Demo case, starter kit

### Starter kit

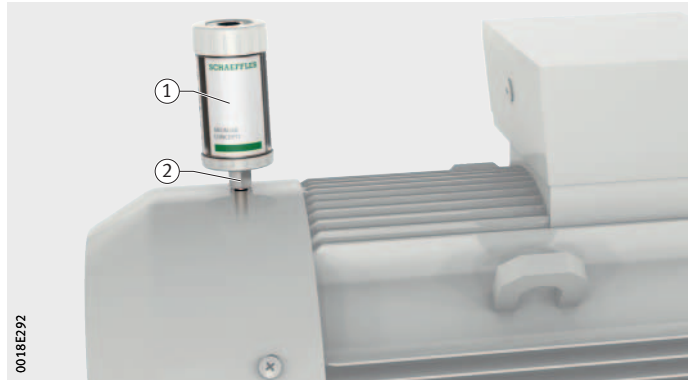
The starter kit contains all the components required to run the CONCEPT1 in test mode. The lubricator included in the kit is filled with a high-quality multi-purpose grease. The lubricator can be connected directly to a G<sup>1/4</sup> thread or to a G<sup>1/8</sup> thread using the reducing nipple supplied.

Each starter kit contains:

- 1×lubricator ARCALUB-C1-125-MULTITOP
- 1×reducing nipple ARCALUB-C1.NIPPLE-G1/8-G1/4.

- ① ARCALUB-C1-125-MULTITOP
- ② ARCALUB-C1.NIPPLE-G1/8-G1/4

*Figure 2*  
Starter kit for  
CONCEPT1



### Type overview Starter kit

Type	Ordering number	Ordering designation
Starter kit MULTITOP, 125 cm <sup>3</sup>	095463860-0000-10	ARCALUB-C1-KIT001





## Electromechanical lubricators

CONCEPT2

CONCEPT4

CONCEPT8

Cartridges

Voltage supply, device holders

Splitters, progressive distributors

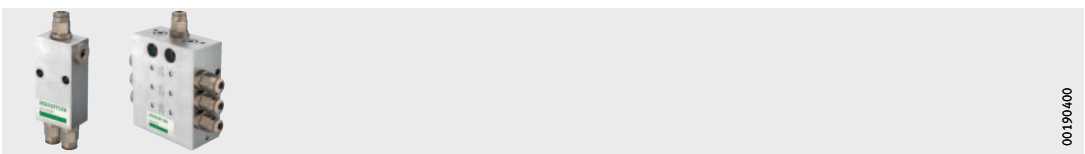
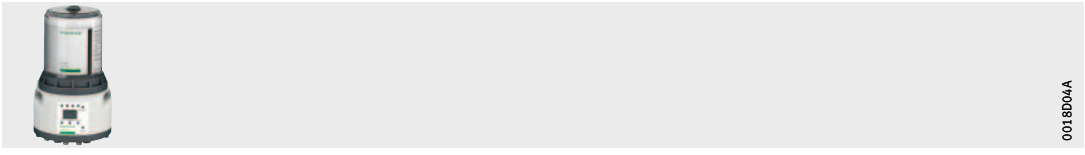
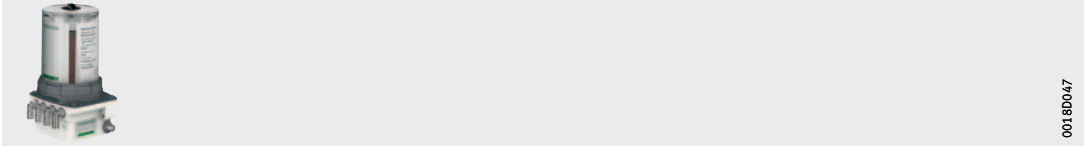
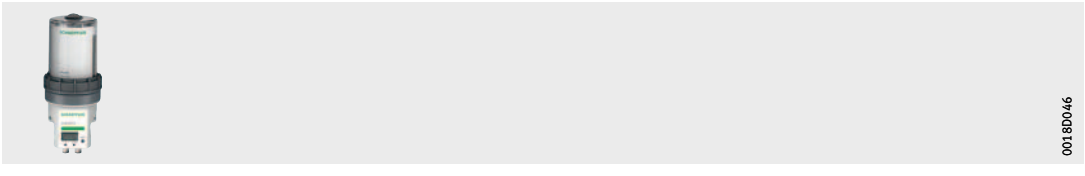
Fittings, Y pieces, check valves

Hoses, hose cutters

Demo case, kits

# Electromechanical lubricators

<b>CONCEPT2</b>	.....	<b>42</b>
	These lubricators to protection class IP54 offer, with their two pump bodies, a high degree of flexibility for the supply of grease or oil as a lubricant.	
<b>CONCEPT4</b>	.....	<b>48</b>
	These lubricators to protection class IP54 offer, with their two pump bodies, a high degree of flexibility for the supply of grease as a lubricant.	
<b>CONCEPT8</b>	.....	<b>52</b>
	These lubricators to protection class IP65 offer, with their two or four pump bodies, a high degree of flexibility for the supply of grease or oil as a lubricant.	
<b>Cartridges</b>	.....	<b>58</b>
	Cartridges are available filled with Arcanol lubricants, filled with customer-specific grease and unfilled.	
<b>Voltage supply, device holders</b>	.....	<b>68</b>
	The lubrication systems can be supplied with voltage via a battery (CONCEPT2 only) or via a connection cable with plug. Device holders facilitate the mounting of the equipment.	
<b>Splitters, progressive distributors</b>	.....	<b>71</b>
	Splitters and progressive distributors offer the possibility of branching a pump outlet.	
<b>Fittings, Y pieces, check valves</b>	.....	<b>76</b>
	For the connection of lubricant lines to the lubricator or the lubrication point, there is an extensive range of fittings available.	
<b>Hoses, hose cutters</b>	.....	<b>84</b>
	A reliable supply of lubricant can be achieved by means of various hose diameters in graduated lengths as well as special hose cutters.	
<b>Demo case, kits</b>	.....	<b>86</b>
	Demo case (CONCEPT2, CONCEPT8), complete packages for electric motors (CONCEPT2), seal kits (CONCEPT8) and cover kits (CONCEPT2, CONCEPT4, CONCEPT8).	



# CONCEPT2

- ① Multi-function interface for voltage supply and I/O communication
- ② Outlets of piston pumps P1 and P2

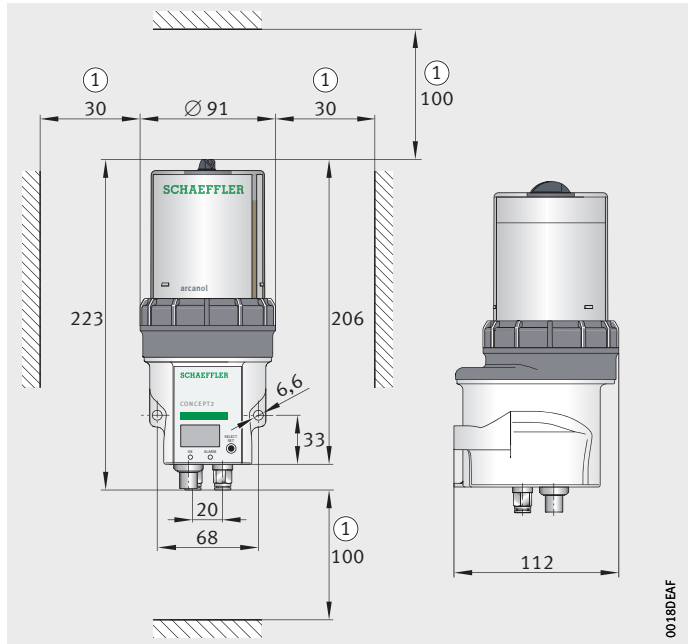
*Figure 1*  
CONCEPT2-...-24VDC  
with multi-function interface



001882D4

- ① Minimum distances necessary for the mounting and dismounting of the cartridge and hose connectors

*Figure 2*  
Dimensions and  
minimum distances



0018D0EAF

## Advantages of the lubricator CONCEPT2

- automatic lubricator for grease and oil (Arcanol range; other lubricants by agreement)
- easy to use and intuitive programming via LCD display in control panel
- flexible:  
filled cartridges containing Arcanol lubricants from Schaeffler or unfilled cartridges for customers to fill with their own greases
- sustainable:  
the cartridges can be filled up to three times and are kind to the environment
- cost-effective:  
good price/performance ratio compared with other lubricators of the same device class
- two independently controllable special piston pumps (integrated back pressure monitoring) facilitate long lubrication lines
- lubrication intervals can either be controlled internally via an integrated timer or externally via PLC
- voltage supply either via battery or mains connection (DC 24 V)
- output of error messages via display, status LED and multi-function interface.



## Further information

### Brochures:

- ICB CONCEPT2, The lubrication system that gets straight to the point  
<https://www.schaeffler.de/std/1F5D>
- FCE Rolling Bearing Lubrication Made Easy (CONCEPT2 EKIT)  
<https://www.schaeffler.de/std/1F5A>
- FBS Systematic Lubrication, Intelligent solutions for your systems engineering  
<https://www.schaeffler.de/std/1F5C>

### User manuals:

- BA 39 CONCEPT2  
<https://www.schaeffler.de/std/1F60>
- BA 40 CONCEPT2 (DC 24 V)  
<https://www.schaeffler.de/std/1F61>

### Reference sheet:

- GTS 0132 Automatic Lubrication of Belt Conveyor Systems in Brown Coal Opencast Mining  
<https://www.schaeffler.de/std/1F65>

# CONCEPT2

## Type overview CONCEPT2

With battery, for grease lubrication with hose diameter 6 mm			
Pump body	Outlets	Ordering number	Ordering designation
Quantity	Quantity		
2	2	086872931-0000-10	ARCALUB-C2-2P

## Type overview CONCEPT2-2P-24VDC

With connector for DC 24 V, for grease lubrication with hose diameter 6 mm			
Pump body	Outlets	Ordering number	Ordering designation
Quantity	Quantity		
2	2	086873105-0000-10	ARCALUB-C2-2P-24VDC

## Type overview CONCEPT2-2P-OIL-24VDC

With connector for DC 24 V, for oil lubrication with hose diameter 6 mm			
Pump body	Outlets	Ordering number	Ordering designation
Quantity	Quantity		
2	2	092246265-0000-10	ARCALUB-C2-2P-OIL-24VDC

## Features of the device variants

Feature	ARCALUB-C2-		
	2P	2P-24VDC	2P-24VDC-OIL
Pump control	Internally by timer	●	●
	Externally via PLC	–	●
Grease (replaceable cartridge, 250 cm <sup>3</sup> )	●	●	–
Oil (built-in oil reservoir, 300 cm <sup>3</sup> )	–	–	●
Internal voltage supply, DC 3 V (battery)	●	–	–
External voltage supply, DC 24 V (multi-function interface)	–	●	●

Technical data  
**CONCEPT2**  
**CONCEPT2-...-24VDC**  
**CONCEPT2-...-OIL-24VDC**

Feature	Value	
Dimensions	91 mm×223 mm×112 mm	
Mass (without cartridge)	≈ 1 kg	
Mounting position	Vertical	
Protection class	IP54	
Housing material	Polyamide	
Lubricant volume	Grease cartridge	250 cm <sup>3</sup>
	Oil	280 cm <sup>3</sup>
Lubricant	Grease	Grease up to NLGI 2 <sup>1)</sup>
	Oil	> 68 cSt
Functional principle	Piston pump	
Operating pressure	DC 24 V	50 bar +7,5/-5 bar
	Battery	30 bar +4,5/-3 bar
Metering volume per outlet with one delivery stroke	0,16 cm <sup>3</sup> 0/-0,08 cm <sup>3</sup>	
Guaranteed number of lubrication cycles per outlet	50 000 (corresponding to approx. 7 500 cm <sup>3</sup> of lubricant)	
Number of outlets	2	
Outside diameter of the lubricant line	6 mm	
Number of lubrication points	Depending on hose connector: <ul style="list-style-type: none"> <li>■ ≤ 2 (direct)</li> <li>■ ≤ 4 (with splitters)</li> <li>■ &gt; 4 (with progressive distributors)<sup>2)</sup></li> </ul>	
Connection	PA hose	
Operating temperature	-20 °C up to +70 °C	
Operating voltage	DC 24 V +4,8/-4,8 V (stabilised) via cable	
	3-V lithium-metal battery	
Connection plug for multi-function interface	M12×1, 4 pin (only for DC 24 V)	
Current consumption DC 24 V	I <sub>max</sub> ≤ 250 mA	
Control of the lubrication intervals	Integrated time control by timer, 25 minutes to 925 minutes	
	External time control via multi-function interface (PLC)	
Error output via display (error message with error code)	Empty, original cartridge missing, pump body motor too slow, internal electrical defect, back pressure too high	
Status information via the multi-function interface	Empty, collective error, signal for successfully completed lubrication cycle	



- <sup>1)</sup> Arcanol greases up NLGI 2  
(taking into account the maximum lubricant line length).  
Other greases up to NLGI 2  
(with experimental determination of maximum lubricant line length).  
No solid particles (except PTFE).
- <sup>2)</sup> Technical clarification necessary.

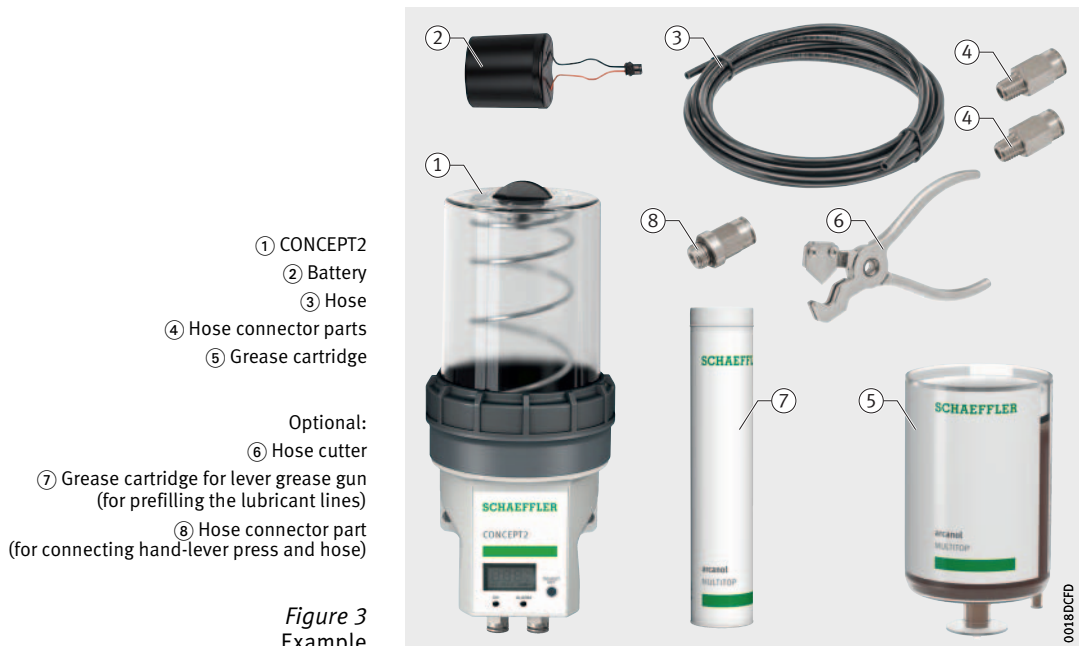
## CONCEPT2

### Ordering example

When ordering, the components must be selected according to the application. The ordering designation and ordering number must always be stated.

### Example

CONCEPT2 (battery version), grease cartridge with Arcanol MULTITOP, hose 10 m, 2 lubrication points with internal thread M8.



### Example Ordering

Item	Ordering		
	Quantity	Ordering number	Ordering designation
①	1	086872931-0000-10	ARCALUB-C2-2P
②	1	087314762-0000-10	ARCALUB-C2.BATTERY
③	1	076691497-0000-10	ARCALUB-X.HOSE-PA12-10M
④	2	079567428-0000-10	ARCALUB-X.TUBEFIT-M8X1-SAT086G
⑤	1	087328810-0000-10	ARCALUB-C2.LC250-MULTITOP
⑥	1	083788620-0000-10	ARCALUB-X.HOSE-CUTTOOL
⑦	1	019144016-0000-10	ARCANOL-MULTITOP-400G
⑧	1	084465905-0000-10	ARCALUB-X.TUBEFIT-G1/8-SAT186G





# CONCEPT4

- ① Multi-function interface for voltage supply and I/O interface
- ② Outlets of piston pumps P1 to P2

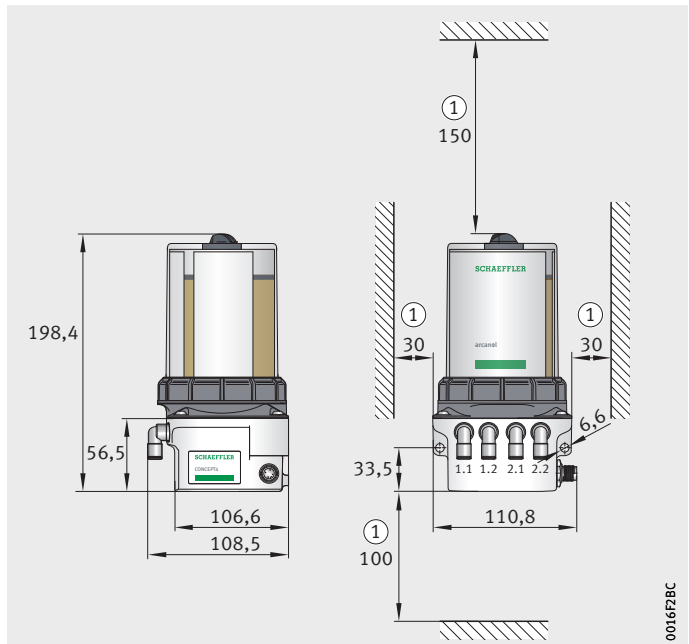
*Figure 1*  
CONCEPT4  
with multi-function interface



0016EFD0

- ① Minimum distances necessary for the mounting and dismounting of the cartridge and hose connectors

*Figure 2*  
Dimensions and  
minimum distances



0016F2BC

Advantages of the lubricator  
CONCEPT4

- automatic lubricator for grease and oil (Arcanol range; other lubricants by agreement)
- flexible:  
filled cartridges containing Arcanol lubricants from Schaeffler or unfilled cartridges for customers to fill with their own greases
- sustainable:  
the cartridges can be filled up to three times and are kind to the environment
- cost-effective:  
good price/performance ratio compared with other lubricators of the same device class
- two independently controllable special piston pumps (integrated back pressure monitoring) facilitate long lubrication lines
- control of the lubrication intervals via PLC
- output of error messages via multi-function interface.



The lubricator has no operating and display unit that could be used for programming and status display. As a result, it must always be integrated into an external controller (PLC) for operation.

**Further information**

Brochures:

- ICC CONCEPT4, The lubrication system that gets straight to the point  
<https://www.schaeffler.de/std/1F7B>
- FBS Systematic Lubrication, Intelligent solutions for your systems engineering  
<https://www.schaeffler.de/std/1F5C>

User manuals:

- BA 67 CONCEPT4  
<https://www.schaeffler.de/std/1F6B>



# CONCEPT4

## Type overview CONCEPT4

With connector for DC 24 V, for grease lubrication with hose diameter 8 mm			
Pump body	Outlets	Ordering number	Ordering designation
Quantity	Quantity		
2	4	094901589-0000-10	ARCALUB-C4-2P-24VDC

## Technical data CONCEPT4

Feature	Value
Dimensions	108,5 mm×198,4 mm×110,8 mm
Mass (without grease cartridge)	≈ 1,3 kg
Mounting position	Vertical
Protection type	IP54
Housing material	Die-cast zinc, PA66-GF30, POM
Lubricant volume (grease cartridge)	400 cm <sup>3</sup>
Lubricant medium	Grease up to NLGI 2 <sup>1)</sup>
Functional principle	Piston pump
Operating pressure	70 bar +7/-10,5 bar
Metering volume per outlet with one delivery stroke	0,16 cm <sup>3</sup> 0/-0,08 cm <sup>3</sup>
Guaranteed number of lubrication cycles per outlet	65 000 (corresponding to approx. 9 750 cm <sup>3</sup> of lubricant)
Number of outlets	4
Outside diameter of the lubricant line	8 mm
Number of lubrication points	Depending on the connection for the lubricant lines: <ul style="list-style-type: none"> <li>■ ≤ 4 (direct)</li> <li>■ ≤ 8 (with splitters)</li> <li>■ &gt; 12 (with progressive distributors)<sup>2)</sup></li> </ul>
Connection	PA hose
Operating temperature	-15 °C up to +60 °C
Operating voltage (stabilised)	DC 24 V +4,8/-4,8 V
Connection plug for multi-function interface	M12×1, 4 pin
Current consumption DC 24 V	I <sub>max</sub> ≤ 350 mA
Control of the lubrication intervals	External time control via multi-function interface (PLC)
Status information via the multi-function interface	Advance fill level warning, empty, collective error, signal for successfully completed lubrication cycle

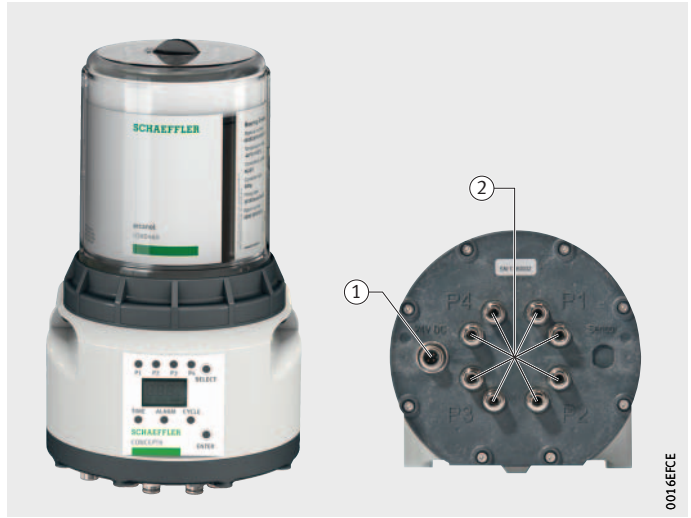


- <sup>1)</sup> Arcanol-greases up NLGI 3  
(taking into account the maximum lubricant line length).  
Other greases up to NLGI 2  
(with experimental determination of maximum lubricant line length).  
No solid particles (except PTFE).
- <sup>2)</sup> Technical clarification necessary.

# CONCEPT8

- ① Multi-function interface for voltage supply and I/O interface
- ② Outlets of piston pumps P1 to P4

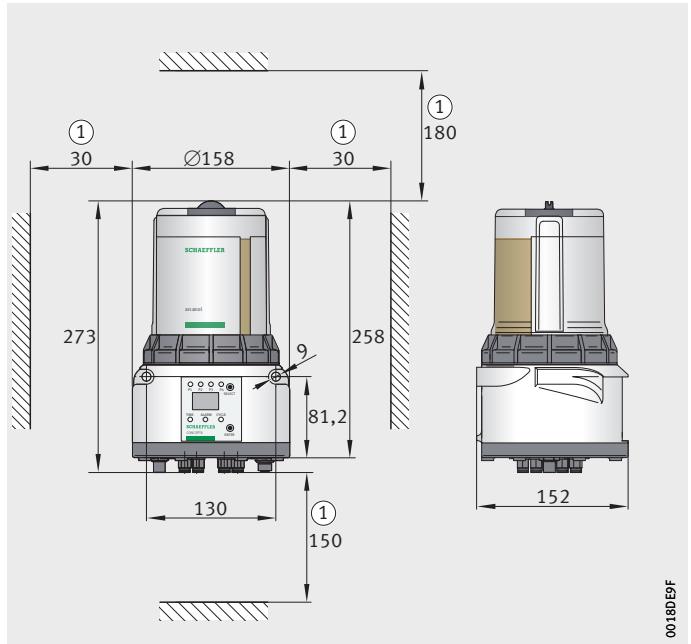
*Figure 1*  
CONCEPT8  
with multi-function interface



0016EFC

- ① Minimum distances necessary for the mounting and dismounting of the cartridge and hose connectors

*Figure 2*  
Dimensions and  
minimum distances



0018DEP

## Advantages of the lubricator CONCEPT8

- automatic lubricator for grease and oil (Arcanol range; other lubricants by agreement)
- easy to use and intuitive programming via LCD display in control panel
- flexible:  
filled cartridges containing Arcanol lubricants from Schaeffler or unfilled cartridges for customers to fill with their own greases
- sustainable:  
the cartridges can be filled up to three times and are kind to the environment
- cost-effective:  
good price/performance ratio compared with other lubricators of the same device class
- up to four independently controllable special piston pumps (dual piston body with integrated back pressure monitoring) facilitate long lubrication lines
- lubrication intervals can either be controlled internally via an integrated timer or externally via PLC
- output of error messages via display, status LED and multi-function interface.



## Further information

### Brochures:

- ICD CONCEPT8, The lubrication system that gets straight to the point  
<https://www.schaeffler.de/std/1F7C>
- FBS Systematic Lubrication, Intelligent solutions for your systems engineering  
<https://www.schaeffler.de/std/1F5C>

### User manuals:

- BA 36 CONCEPT8  
<https://www.schaeffler.de/std/1F5E>
- BA 37 CONCEPT8-OIL  
<https://www.schaeffler.de/std/1F5F>

### Reference sheet:

- GTS 0113 Automatic Lubrication of Belt Conveyor Systems in Brown Coal Opencast Mining  
<https://www.schaeffler.de/std/1F62>
- GTS 0115 Automatic Lubrication of a Wide Belt Sanding Machine in a Hardwood Saw Mill  
<https://www.schaeffler.de/std/1F63>
- GTS 0113 Automatic Lubrication of a Large-Size Fan  
<https://www.schaeffler.de/std/1F64>

# CONCEPT8

## Type overview CONCEPT8

With connector for DC 24 V, for grease lubrication with hose diameter 8 mm			
Pump body	Outlets	Ordering number	Ordering designation
Quantity	Quantity		
2	4 <sup>1)</sup>	082249156-0000-10	ARCALUB-C8-2P
4	8 <sup>1)</sup>	082266646-0000-10	ARCALUB-C8-4P

1) Adjustment by deactivation of pump bodies and by combination or splitting of outlets.

## Type overview CONCEPT8-...-OIL

With connector for DC 24 V, for oil lubrication with hose diameter 6 mm			
Pump body	Outlets	Ordering number	Ordering designation
Quantity	Quantity		
2	4 <sup>1)</sup>	083786910-0000-10	ARCALUB-C8-2P-OIL
4	8 <sup>1)</sup>	083787062-0000-10	ARCALUB-C8-4P-OIL

1) Adjustment by deactivation of pump bodies and by combination or splitting of outlets.



Technical data  
**CONCEPT8**  
**CONCEPT8-...-OIL**

Feature	Value	
Dimensions	158 mm×273 mm×152 mm	
Mass (without cartridge)	≈ 3 kg	
Mounting position	Vertical	
Protection class	IP65	
Housing material	Aluminium (powder coated), polyamide	
Lubricant volume	Grease cartridge	800 cm <sup>3</sup>
	Oil	1 000 cm <sup>3</sup>
Lubricant	Grease	Grease up to NLGI 2 <sup>1)</sup>
	Oil	> 68 cSt
Functional principle	Piston pump	
Operating pressure	70 bar +7/-10,5 bar	
Metering volume per outlet with one delivery stroke	0,16 cm <sup>3</sup> 0/-0,08 cm <sup>3</sup>	
Guaranteed number of lubrication cycles per outlet	65 000 (corresponding to approx. 9 750 cm <sup>3</sup> of lubricant)	
Number of outlets	max. 8	
Outside diameter of the lubricant line	8 mm	
Number of lubrication points	Depending on hose connector: <ul style="list-style-type: none"> <li>■ ≤ 8 (direct)</li> <li>■ ≤ 16 (with splitters)</li> <li>■ &gt; 16 (with progressive distributors)<sup>2)</sup></li> </ul>	
Connection	PA hose	
Operating temperature	-20 °C up to +70 °C	
Operating voltage (stabilised)	DC 24 V +4,8/-4,8 V	
Connection plug for multi-function interface	M12×1, 4 pin	
Current consumption DC 24 V	I <sub>max</sub> ≤ 350 mA	
Control of the lubrication intervals	Integrated time control by timer, 1 hour to 240 hours	
	External time control via multi-function interface (PLC)	
Error output via display (error message with error code)	Empty, original cartridge missing, pump body motor too slow, internal electrical defect, back pressure too high	
Status information via the multi-function interface	Collective error, signal for successfully completed lubrication cycle	



- <sup>1)</sup> Arcanol greases up NLGI 3  
(taking into account the maximum lubricant line length).  
Other greases up to NLGI 2  
(with experimental determination of maximum lubricant line length).  
No solid particles (except PTFE).
- <sup>2)</sup> Technical clarification necessary.

# CONCEPT8

## Ordering example

When ordering, the components must be selected according to the application. The ordering designation and ordering number must always be stated.

### Example

CONCEPT8, grease cartridge with Arcanol MULTITOP, hose 50 m, 8 lubrication points with internal thread M8.

- ① CONCEPT8
- ② Connection cable with plug
- ③ Hose
- ④ Hose connector parts
- ⑤ Grease cartridge
  
- Optional:
- ⑥ Hose cutter
- ⑦ Grease cartridge for lever grease gun (for prefilling the lubricant lines)
- ⑧ Hose connector part (for connecting hand-lever press and hose)



Figure 3  
Example

### Example Ordering

Item	Ordering		
	Quantity	Ordering number	Ordering designation
①	1	082266646-0000-10	ARCALUB-C8-4P
②	1	075378361-0000-10	ARCALUB-X.CABLE-M12-10M
③	1	083788603-0000-10	ARCALUB-X.HOSE-PA66-50M
④	2	083654216-0000-10	ARCALUB-X.TUBEFIT-M8X1-SAT088G
⑤	1	082631492-0000-10	ARCALUB-C8.LC800-MULTITOP
⑥	1	083788620-0000-10	ARCALUB-X.HOSE-CUTTOOL
⑦	1	019144016-0000-10	ARCANOL-MULTITOP-400G
⑧	1	083654534-0000-10	ARCALUB-X.TUBEFIT-G1/8-SAT188G



# Cartridges

## Cartridges, filled with Arcanol grease Grease cartridges for CONCEPT2

The grease cartridges for the lubricator CONCEPT2 have a grease volume of 250 cm<sup>3</sup>, *Figure 1*.



*Figure 1*  
Grease cartridge  
for CONCEPT2

### Type overview Standard grease cartridges 250 cm<sup>3</sup>

Grease	Ordering number	Ordering designation
Arcanol CLEAN-M	087334194-0000-10	ARCALUB-C2.LC250-CLEAN-M
Arcanol Food2	087334020-0000-10	ARCALUB-C2.LC250-FOOD2
Arcanol LOAD150	087329077-0000-10	ARCALUB-C2.LC250-LOAD150
Arcanol LOAD220	087329115-0000-10	ARCALUB-C2.LC250-LOAD220
Arcanol LOAD400	087329131-0000-10	ARCALUB-C2.LC250-LOAD400
Arcanol LOAD460	087329140-0000-10	ARCALUB-C2.LC250-LOAD460
Arcanol LOAD1000	087329280-0000-10	ARCALUB-C2.LC250-LOAD1000
Arcanol MULTI2	087328038-0000-10	ARCALUB-C2.LC250-MULTI2
Arcanol MULTITOP	087328810-0000-10	ARCALUB-C2.LC250-MULTITOP
Arcanol MOTION2	087334216-0000-10	ARCALUB-C2.LC250-MOTION2
Arcanol SEMIFLUID	095195831-0000-10	ARCALUB-C2.LC250-SEMIFLUID
Arcanol SPEED2,6	087334046-0000-10	ARCALUB-C2.LC250-SPEED2,6
Arcanol TEMP90	087329816-0000-10	ARCALUB-C2.LC250-TEMP90
Arcanol TEMP110	087329840-0000-10	ARCALUB-C2.LC250-TEMP110
Arcanol TEMP120	087329980-0000-10	ARCALUB-C2.LC250-TEMP120
Arcanol TEMP200	087329999-0000-10	ARCALUB-C2.LC250-TEMP200

### Further information

#### Technical Product Information:

- TPI 168 Arcanol Rolling Bearing Greases  
<https://www.schaeffler.de/std/1F66>

#### Datasheet:

- FAS Arcanol Rolling Bearing Greases  
<https://www.schaeffler.de/std/1F67>

**Grease cartridges for CONCEPT4**

The grease cartridges for the lubricator CONCEPT4 have a grease volume of 400 cm<sup>3</sup>, *Figure 2*.



*Figure 2*  
Grease cartridge for CONCEPT4

**Type overview  
Standard grease cartridges  
400 cm<sup>3</sup>**

Grease	Ordering number	Ordering designation
Arcanol CLEAN-M	095058125-0000-10	ARCALUB-C4.LC400-CLEAN-M
Arcanol EM-L038	095058141-0000-10	ARCALUB-C4.LC400-EM-L038
Arcanol Food2	095058117-0000-10	ARCALUB-C4.LC400-FOOD2
Arcanol LoAD150	095056785-0000-10	ARCALUB-C4.LC400-LOAD150
Arcanol LoAD220	095056793-0000-10	ARCALUB-C4.LC400-LOAD220
Arcanol LoAD400	095056807-0000-10	ARCALUB-C4.LC400-LOAD400
Arcanol LoAD460	095058010-0000-10	ARCALUB-C4.LC400-LOAD460
Arcanol LoAD1000	095058028-0000-10	ARCALUB-C4.LC400-LOAD1000
Arcanol MULTI2	095056769-0000-10	ARCALUB-C4.LC400-MULTI2
Arcanol MULTI3	095056750-0000-10	ARCALUB-C4.LC400-MULTI3
Arcanol MULTITOP	095056777-0000-10	ARCALUB-C4.LC400-MULTITOP
Arcanol MOTION2	095058133-0000-10	ARCALUB-C4.LC400-MOTION2
Arcanol SEMIFLUID	095195823-0000-10	ARCALUB-C4.LC400-SEMIFLUID
Arcanol SPEED2,6	095058087-0000-10	ARCALUB-C4.LC400-SPEED2,6
Arcanol TEMP90	095058044-0000-10	ARCALUB-C4.LC400-TEMP90
Arcanol TEMP110	095058052-0000-10	ARCALUB-C4.LC400-TEMP110
Arcanol TEMP120	095058060-0000-10	ARCALUB-C4.LC400-TEMP120
Arcanol TEMP200	095058079-0000-10	ARCALUB-C4.LC400-TEMP200
Arcanol ViB3	095058095-0000-10	ARCALUB-C4.LC400-VIB3

**Further information**

Technical Product Information:

- TPI 168 Arcanol Rolling Bearing Greases  
<https://www.schaeffler.de/std/1F66>

Datasheet:

- FAS Arcanol Rolling Bearing Greases  
<https://www.schaeffler.de/std/1F67>

# Cartridges

## Grease cartridges for CONCEPT8

The grease cartridges for the lubricator CONCEPT8 have a grease volume of 800 cm<sup>3</sup>, *Figure 3*.



*Figure 3*  
Grease cartridge for CONCEPT8

## Type overview Standard grease cartridges 800 cm<sup>3</sup>

Grease	Ordering number	Ordering designation
Arcanol CLEAN-M	083549129-0000-10	ARCALUB-C8.LC800-CLEAN-M
Arcanol FOOD2	083549064-0000-10	ARCALUB-C8.LC800-FOOD2
Arcanol LOAD150	083532439-0000-10	ARCALUB-C8.LC800-LOAD150
Arcanol LOAD220	083533583-0000-10	ARCALUB-C8.LC800-LOAD220
Arcanol LOAD400	083533761-0000-10	ARCALUB-C8.LC800-LOAD400
Arcanol LOAD460	083533818-0000-10	ARCALUB-C8.LC800-LOAD460
Arcanol LOAD1000	083548343-0000-10	ARCALUB-C8.LC800-LOAD1000
Arcanol MULTI2	083532412-0000-10	ARCALUB-C8.LC800-MULTI2
Arcanol MULTI2	083548289-0000-10	ARCALUB-C8.LC800-MULTI3
Arcanol MULTITOP	082631492-0000-10	ARCALUB-C8.LC800-MULTITOP
Arcanol SEMIFLUID	095195815-0000-10	ARCALUB-C8.LC800-SEMIFLUID
Arcanol SPEED2,6	083548629-0000-10	ARCALUB-C8.LC800-SPEED2,6
Arcanol TEMP90	083533630-0000-10	ARCALUB-C8.LC800-TEMP90
Arcanol TEMP110	083548580-0000-10	ARCALUB-C8.LC800-TEMP110
Arcanol TEMP120	083548599-0000-10	ARCALUB-C8.LC800-TEMP120
Arcanol TEMP200	083548602-0000-10	ARCALUB-C8.LC800-TEMP200
Arcanol VIB3	083549099-0000-10	ARCALUB-C8.LC800-VIB3

## Further information

### Technical Product Information:

- TPI 168 Arcanol Rolling Bearing Greases  
<https://www.schaeffler.de/std/1F66>

### Datasheet:

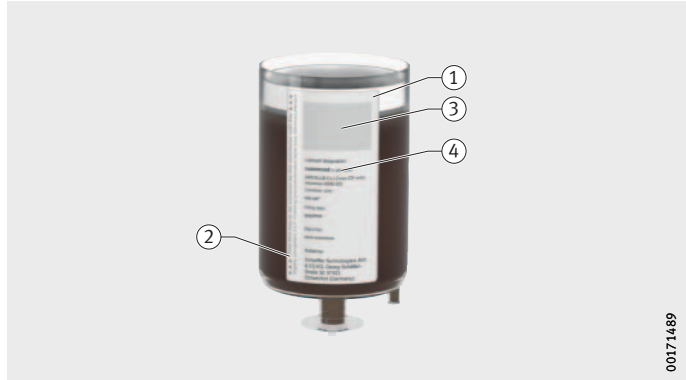
- FAS Arcanol Rolling Bearing Greases  
<https://www.schaeffler.de/std/1F67>

## Cartridges, filled with customer-specific grease

The filling of grease cartridges for lubricators CONCEPT2, CONCEPT4 and CONCEPT8 with customer-specific greases is possible by agreement. This is subject to successful compatibility testing by Schaeffler.

- Labelling:
- ① Basic label
  - ② Position for identification label
  - ③ Customer-specific logo
  - ④ Customer-specific article text

*Figure 4*  
Customer-specific grease cartridges (example CONCEPT2)



### Order quantity

A fixed order quantity is specified according to the device-specific design of the grease cartridges.

### Grease cartridges per packaging unit

Grease cartridge for	Number of grease cartridges per packaging unit
CONCEPT2	20
CONCEPT4	12
CONCEPT8	6



# Cartridges

Labelling	Each grease cartridge is furnished with a basic label and, if subject to an identification requirement, with an additional identification label.
Basic label	<p>Schaeffler is responsible for the basic label. The basic label is created by Schaeffler and stuck to the cartridge.</p> <p>The basic label contains information about the lubricant, the filling quantity and the filling date. The customer has the option of providing his own logo and lubricant designation so that Schaeffler can also print this information on the basic label.</p> <p>Schaeffler is named as the filler on the basic label. The distributor is the customer who instructs Schaeffler to supply and fill the grease cartridges.</p>
Identification label	<p>The customer is responsible for the identification label. The identification label is designed and printed by the customer and made available to Schaeffler. Schaeffler sticks the identification label to the cartridge and additionally to the outer packaging of each cartridge. The customer must therefore provide duplicate copies of the identification label (2 identification labels for each ordered cartridge).</p> <p>An identification label is only required if an identification requirement exists in accordance with directive (EC) no. 1272/2008 of the European Union. This directive also contains the specific regulations governing identification.</p> <p>The maximum size of the identification label for the cartridges of lubricators CONCEPT2, CONCEPT4 and CONCEPT8 is 92 mm×134 mm. The label is usually designed as a booklet label.</p>



- Ordering procedure** The ordering of customer-specific grease cartridges is carried out in 3 phases.
- Phase 1** The customer sends the following documents to Schaeffler with the enquiry:
- technical datasheet of the grease
  - safety datasheet of the grease.
- E-mail to:
- [lubrication@schaeffler.com](mailto:lubrication@schaeffler.com)
- Phase 2** Schaeffler checks, on the basis of the datasheets provided:
- whether the grease is suitable for use in the CONCEPT lubricators
  - whether an identification requirement exists in accordance with directive (EC) no. 1272/2008.
- If the grease is suitable for the lubricators, Schaeffler prepares a quotation. If an identification requirement exists, the quotation will contain information on the required provision of the identification label.
- Phase 3** The customer places the order and provides the grease quantity required for filling, as well as the identification labels if required.
- The grease must be provided in the original container (5 kg, 10 kg, 25 kg, 50 kg or 180 kg), stating the batch number and filling date.
- When the grease is received, Schaeffler fills the cartridges, sticks the labels to them and delivers the cartridges to the customer.
- Any grease quantities remaining after the order has been carried out cannot be stored by Schaeffler and will be disposed of.
- Delivery address:
- Schaeffler Technologies AG & Co. KG  
Bau 50 – Monteur  
Georg-Schäfer-Straße 30  
97421 Schweinfurt  
Germany.



# Cartridges

## Cartridges, unfilled

Unfilled grease cartridges can be filled by the actual customer. This permits the additional flexible use of lubricators for customer-specific lubricants.

- CONCEPT2
- ① Refillable cartridge
- ② Closing plug
- ③ Filling adapter
  
- CONCEPT4
- ④ Refillable cartridge
- ⑤ Closing plug
- ⑥ Filling adapter
  
- CONCEPT8
- ⑦ Refillable cartridge
- ⑧ Closing plug
- ⑨ Filling adapter



Figure 5  
Refillable grease cartridges

### Type overview Refillable grease cartridges

Type	Ordering number	Ordering designation
Cartridge for CONCEPT2 with 250 cm <sup>3</sup>	095028803-0000-10	ARCALUB-C2.LC250-REFILLABLE
CONCEPT4 with 400 cm <sup>3</sup>	095058036-0000-10	ARCALUB-C4.LC400-REFILLABLE
CONCEPT8 with 800 cm <sup>3</sup>	095028790-0000-10	ARCALUB-C8.LC800-REFILLABLE

The refillable cartridges are supplied with a closing plug. The closing plugs can be reordered.

### Type overview Closing plugs

Type	Ordering number	Ordering designation
Closing plugs for CONCEPT2	095179879-0000-10	ARCALUB-C2.LC250-SEAL-CAP
CONCEPT4	095179887-0000-10	ARCALUB-C4.LC400-SEAL-CAP
CONCEPT8	095179895-0000-10	ARCALUB-C8.LC800-SEAL-CAP

10 pieces per packaging unit.

The refillable cartridges can be filled directly from a drum pump using special filling adapters. The filling adapters have an internal thread G<sup>1</sup>/<sub>4</sub>.

**Type overview**  
**Filling adapters**

Type	Ordering number	Ordering designation
Filling adapter for CONCEPT2	095179909-0000-10	ARCALUB-C2.LC250-RF-ADAPTER
CONCEPT4	095180818-0000-10	ARCALUB-C4.LC400-RF-ADAPTER
CONCEPT8	095180826-0000-10	ARCALUB-C8.LC800-RF-ADAPTER

**Lubricating greases**

Requirements for the lubricating greases:

- maximum consistency class NLGI 2
- no solid particles (except PTFE).

The maximum lubricant line length must be determined by the actual customer. This is dependent on the selected lubricating grease and other parameters, see page 8.



If the requirements for the lubricating greases are not observed, the manufacturer's guarantees covering the refillable cartridges and the lubricators will be invalidated.

A maximum of 3 filling operations per cartridge is possible. If further filling operations are carried out, the possibility of damage to the cartridge, in the form of wear for example, cannot be ruled out.



# Cartridges

## Filling the cartridges

We recommend using a manual drum pump to fill the cartridges, see page 118.

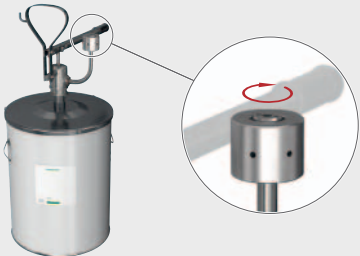

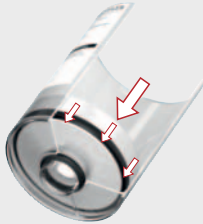



Destruction of the cartridge due to excess pressure when filling. When the end stop is reached, terminate the filling process immediately and do not increase the pressure further.








Risk of insufficient lubricant supply if air is still present in the cartridge. Remove any air cushions after filling by tilting the follower piston.

## Filling process

Work steps	
Screw on the filling adapter	
Remove the closing plug	
Press the follower piston down	
Push the cartridge on as far as the stop and hold	

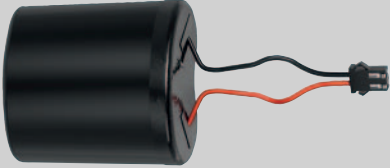
**Filling process**  
(continued)

Work steps	
Fill with lubricant	 <p style="text-align: right;">00172169</p>
Terminate the filling process when the follower piston reaches the end stop	 <p style="text-align: right;">0017216B</p>
Attach the closing plug	 <p style="text-align: right;">001721E0</p>
Remove the air cushion under the follower piston	 <p style="text-align: right;">001721C2</p>
Write on the label	 <p style="text-align: right;">001721FE</p>



# Voltage supply, device holders


## Voltage supply Type overview Battery

Only for CONCEPT2		
		
Type	Ordering number	Ordering designation
Battery pack DC 3 V	087314762-0000-10	ARCALUB-C2.BATTERY

0018F109

Energy supply by a battery is only possible in the case of CONCEPT2.

## Type overview Connection cables with plug

For CONCEPT2 and CONCEPT8, 4 ends, for available voltage supply DC 24 V, I/O communication possible			
			
Type	Designation	Ordering number	Ordering designation
A	Plug Cable: L = 10 m	075378361-0000-10	ARCALUB-X.CABLE-M12-10M
B	Plug (LED) Cable: L = 5 m	083788964-0000-10	ARCALUB-X.CABLE-M12X1-5M-LED-S
	Plug (LED) Cable: L = 10 m	083788980-0000-10	ARCALUB-X.CABLE-M12X1-10M-LED-S
C	Plug (LED) Cable: L = 5 m	075592240-0000-10	ARCALUB-X.CABLE-M12-5M-LED
	Plug (LED) Cable: L = 10 m	077879805-0000-10	ARCALUB-X.CABLE-M12-10M-LED

0018F119

## LED signal indication

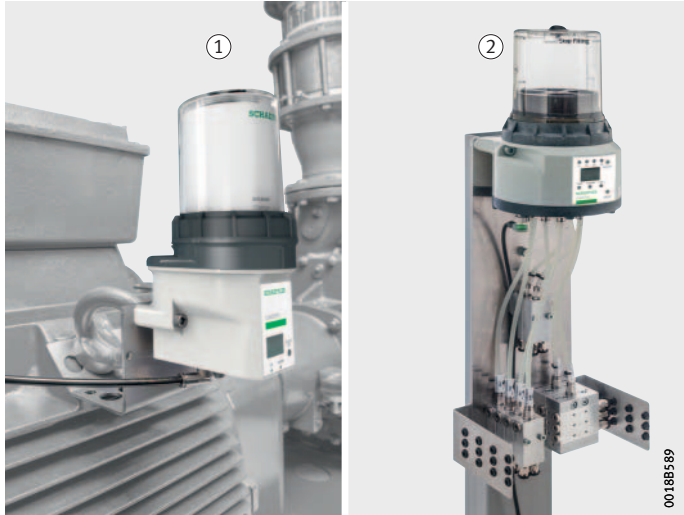
Signal colour of LED	Description
Green	Voltage supply DC 24 V present
White	Incoming signal; initiation of lubricant dispensing by external controller
Yellow	Outgoing signal; feedback of completed lubricant dispensing to external controller

## Device holders

The device holders facilitate the mounting of the lubricators CONCEPT2 and CONCEPT8 directly on the equipment to be lubricated or in its vicinity.

Device holder for:  
① CONCEPT2  
② CONCEPT8

*Figure 1*  
Application examples of device holders



Scope of delivery  
Device holder for CONCEPT2

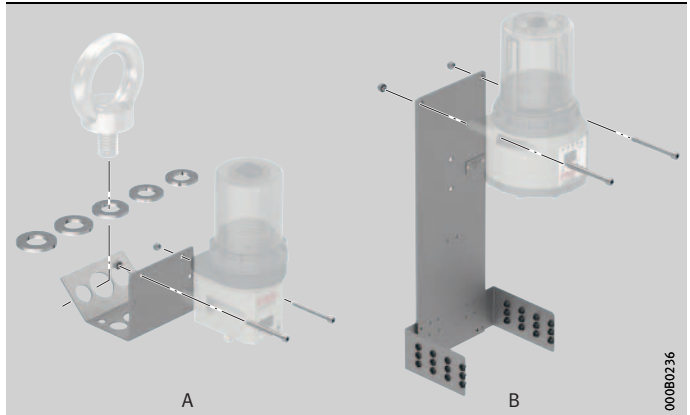
- Device holder for CONCEPT2, with mounting material:
- universal locating bracket made from high grade steel
  - 5 support washers in different dimensions, for locating the mounting bracket, for example by means of an eye bolt on a electric motor
  - 2 socket head screws M6×50 with a retaining nut, for locating the lubricator on the universal locating bracket.

Scope of delivery  
Device holder for CONCEPT8

- Device holder for CONCEPT8, for the additional location of splitters and progressive distributors, with mounting material:
- mounting baseplate made from high grade steel, including all holes
  - 2 brackets made from high grade steel for the fixing of lubricant lines, including hose grommets
  - 2 socket head screws M8×80 with a retaining nut, for locating the lubricator on the device holder.

# Voltage supply, device holders

## Type overview Device holders



Type		Ordering number	Ordering designation
A	Device holder CONCEPT2	092435726-0000-10	ARCALUB-C2.HOLDER-KIT
B	for CONCEPT8	093204094-0000-10	ARCALUB-C8.HOLDER-KIT



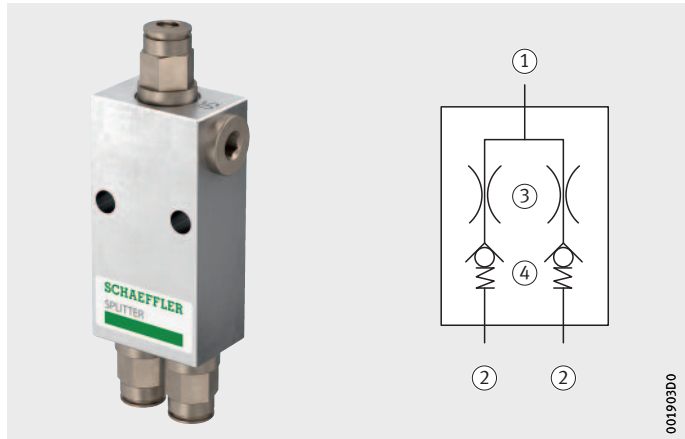
# Splitters, progressive distributors

**Splitters** Splitters are used to achieve the distribution in uniform volumes of a delivery volume to 2 outlets.

For this purpose, splitters are fitted with chokes that create a pressure differential of approx. 10 bar between the inlet and outlet for the lubricant. Each outlet is provided with a check valve in order to prevent overflow of the lubricant from one outlet to the other, *Figure 1*.

- ① Inlet
- ② Outlet
- ③ Chokes
- ④ Check valves

*Figure 1*  
Splitter  
with hydraulic schematic



## Characteristics

- the supply of lubricant to the connected lubrication points is subject to the following:
  - identical lubricant
  - identical lubricant quantity
  - identical lubrication interval
- requirement for lubricant lines at the inlet:
  - maximum lubricant line length to pump: 300 mm
- requirements for lubricant lines at the outlet:
  - approximately equal lubricant line lengths ( $\pm 10\%$  difference)
  - identical line cross-sections
- operating temperature: +10 °C to +60 °C
- lubricant:
  - oils
  - greases up to NLGI 2 (no solid content).



Cascading, in other words the combination of splitters, is not permissible.



# Splitters, progressive distributors

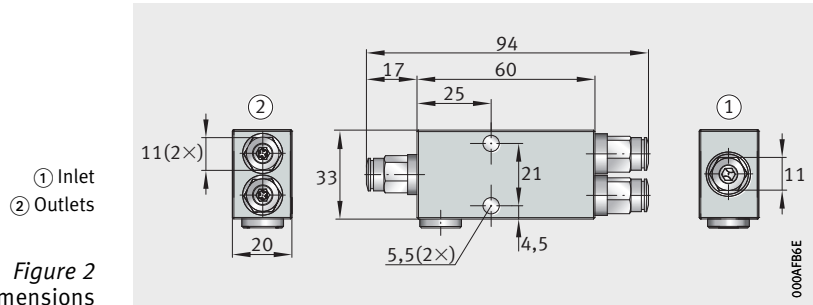


Figure 2  
Dimensions

## Technical data Splitters

Feature	Value
Operating pressure	required
	max.
Metering accuracy with correct operation	±10%
Material	Housing
	Hose connector parts

## Type overview Splitters

Medium	Hose diameter mm	Ordering number	Ordering designation
Grease	6	081307497-0000-10	ARCALUB-X.SPLITTER-2X-STRAIGHT-GREASE
Oil	6	074969218-0000-10	ARCALUB-X.SPLITTER-2X-STRAIGHT-OIL

## Scope of delivery

The splitter is supplied with 3 connection fittings with a thread M10×1 for the hose connection diameter D = 6 mm. For the connection of hoses of D = 8 mm, the corresponding connection fittings must be ordered separately.

## Progressive distributors

In progressive distributors, the lubricant is distributed by the follower piston control of the individual distributor discs consecutively to the lubrication points. Each of the 3 outlets is additionally provided with a check valve in order to prevent overflow of the lubricant from one outlet to another.



*Figure 3*  
Progressive distributors

### Characteristics

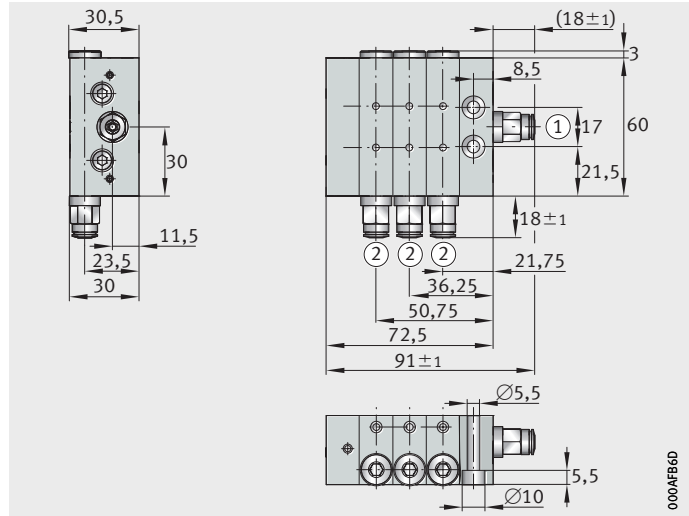
- the supply of lubricant to the connected lubrication points is subject to the following:
  - identical lubricant
  - identical lubricant quantity
  - identical lubrication interval
- requirement for lubricant lines at the inlet:
  - maximum lubricant line length to pump: 300 mm
- requirements for lubricant lines at the outlet:
  - identical line cross-sections
- operating temperature: +10 °C to +60 °C
- lubricant:
  - oils
  - greases up to NLGI 2 (no solid content).



Cascading, in other words the combination of progressive distributors, is not permissible.

The use of progressive distributors is only permissible after technical approval of the complete lubrication concept by Schaeffler.

# Splitters, progressive distributors



- ① Inlet
- ② Outlet

Figure 4  
Dimensions

## Technical data Progressive distributors

Feature	Value
Operating pressure required	Up to 10 bar
max.	100 bar
Metering accuracy with correct operation	±10%
Material	Housing Hose connector parts
	Aluminium Brass, nickel-plated

## Type overview Progressive distributors

Type	Metering volume cm <sup>3</sup>	Ordering number	Ordering designation
TS3-25	0,025	093204060-0000-10	ARCALUB-X.PROGDIV-3X-RIGHT-0.05CCM

## Scope of delivery

The progressive distributor is supplied with 4 connection fittings with a thread M10×1 for the hose connection diameter D = 6 mm. For the connection of hoses of D = 8 mm, the corresponding connection fittings must be ordered separately.

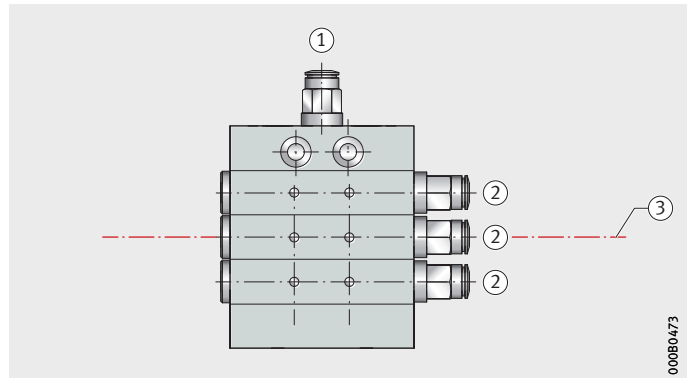
## Mounting regulations

For correct function of progressive distributors, the following rules must be observed in mounting:

- The progressive distributor may only be mounted on a flat surface. Otherwise, stresses can lead to jamming of the control pistons.
- In all applications with oil lubrication, the progressive distributor must be mounted such that the control pistons are in a horizontal position, *Figure 5*. Otherwise, gap losses and the influence of gravity can lead to descent of the control pistons.

- ① Inlet
- ② Outlet
- ③ Horizontal position of control pistons

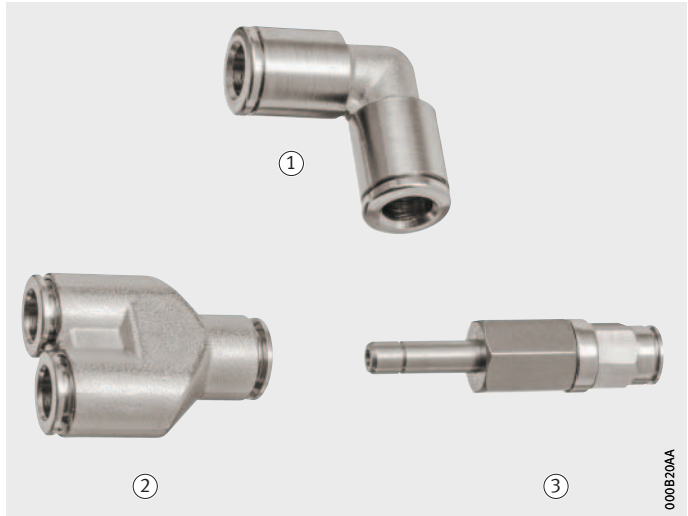
*Figure 5*  
Alignment of the progressive distributor in mounting



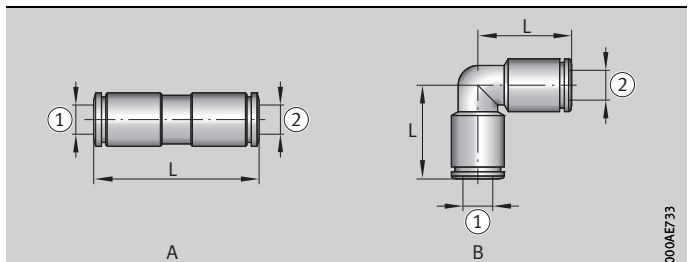
# Fittings, Y pieces, check valves

- ① Hose connector
- ② Y piece
- ③ Check valve

*Figure 1*  
Hose connector,  
Y piece and check valve

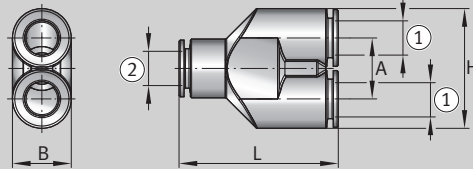


## Type overview Hose connectors



Type	Hose diameter		Length L mm	Ordering number	Ordering designation
	① mm	② mm			
A	4	4	32	095770887-0000-10	ARCALUB-X.CONNECT-4-4
	6	4	33	093040717-0000-10	ARCALUB-X.CONNECT-6-4
	6	6	34	083867112-0000-10	ARCALUB-X.CONNECT-6-6
	8	6	39,5	083867279-0000-10	ARCALUB-X.CONNECT-8-6
	8	8	38	083867309-0000-10	ARCALUB-X.CONNECT-8-8
B	4	4	18	095770895-0000-10	ARCALUB-X.CONNECT-4-4-W
	6	6	19,5	088902250-0000-10	ARCALUB-X.CONNECT-6-6-W
	8	8	25	094927723-0000-10	ARCALUB-X.TUBEFIT-CONNECT-8-8-W

**Type overview**  
**Y pieces**



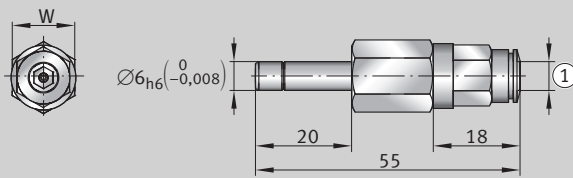
000AE734

Hose diameter		Dimensions				Ordering number	Ordering designation
① mm	② mm	L mm	A mm	H mm	B mm		
2×6	6	35	12,5	24,5	12	076693180-0000-10	ARCALUB-X.TUBEFIT-Y-D6
2×8	8	38	14,5	28,5	14	083654640-0000-10	ARCALUB-X.TUBEFIT-Y-D8



**Type overview**  
**Check valve**

Only suitable for oil



000AE736

Hose diameter	Width across flats	Ordering number	Ordering designation
① mm	W mm		
6	13	092927122-0000-10	ARCALUB-X.OIL-VALVE-SAT106G

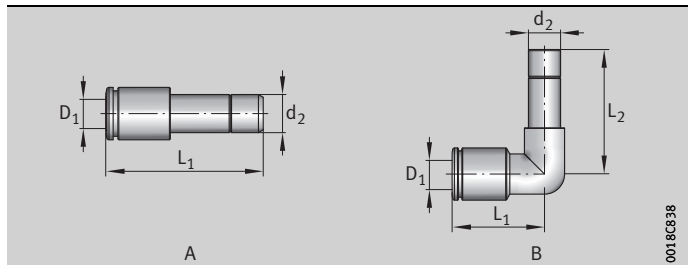
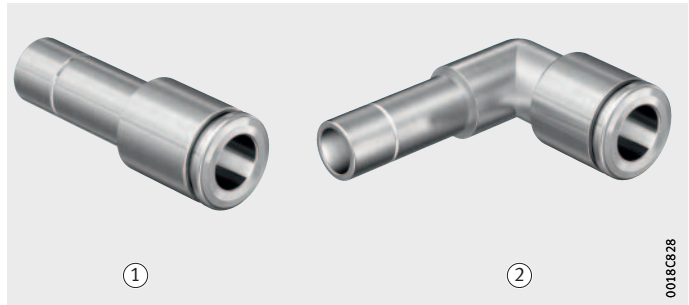


# Fittings, Y pieces, check valves

- ① Straight
- ② Angled

Figure 2  
Connection adapters

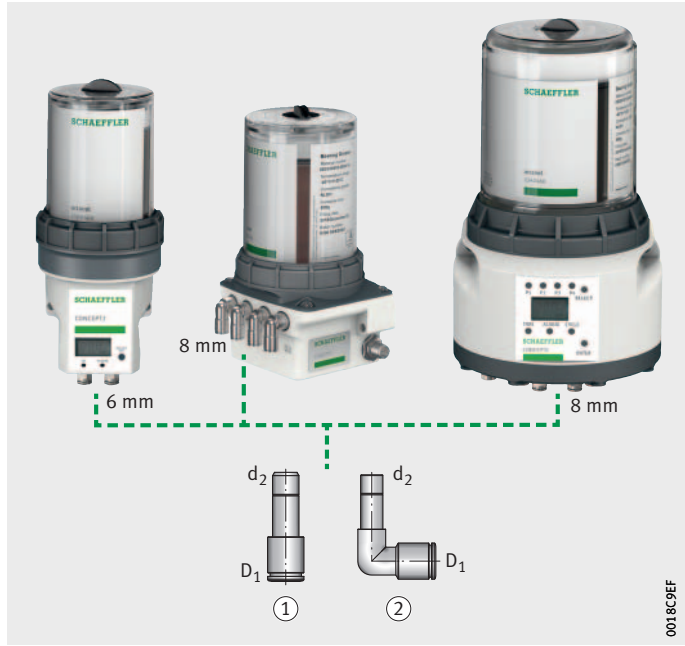
## Type overview Connection adapters



Type	Diameter		Length		Ordering number	Ordering designation
	D <sub>1</sub> mm	d <sub>2</sub> mm	L <sub>1</sub> mm	L <sub>2</sub> mm		
A	6	8	34	–	094487979-0000-10	ARCALUB-X.TUBEFIT-SAT8A6I
	4	8	32	–	095777970-0000-10	ARCALUB-X.TUBEFIT-SAT-8A-4I
	4	6	31	–	095777962-0000-10	ARCALUB-X.TUBEFIT-SAT-6A-4I
B	6	6	20	27	095058150-0000-10	ARCALUB-X.TUBEFIT-SAT-6A-6I-W
	8	8	25	31	095058168-0000-10	ARCALUB-X.TUBEFIT-SAT-8A-8I-W



The outside diameter  $d_2$  of the connection adapter is inserted into the outlet of the lubricator up to the end stop.  
The lubricant line is inserted into the inside diameter  $D_1$  of the connection adapter.



- ① Type A (straight)
- ② Type B (angled)

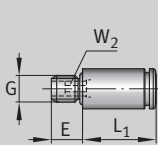
*Figure 3*  
Using the connection adapters

# Fittings, Y pieces, check valves

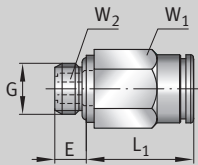
## Type overview Hose connector parts Type A, B, C

Hose, push fit			
<span style="margin-right: 150px;">A</span> <span style="margin-right: 150px;">B</span> <span>C</span>			
Thread	Hose diameter	Ordering number	Ordering designation
G	mm		
M3×0,8	4	093041390-0000-10	ARCALUB-X.TUBEFIT-M3-SAT034G-S
M6×1		095777636-0000-10	ARCALUB-X.TUBEFIT-M6-SAT064G
M10×1 (tapered)		095777911-0000-10	ARCALUB-X.TUBEFIT-M10X1-SAT104G
M5×0,8	6	077937490-0000-10	ARCALUB-X.TUBEFIT-M5-SAT056G
M6×1		075527472-0000-10	ARCALUB-X.TUBEFIT-M6-SAT066G
M8×1		079567428-0000-10	ARCALUB-X.TUBEFIT-M8X1-SAT086G
M10×1		075527626-0000-10	ARCALUB-X.TUBEFIT-M10X1-SAT106G
G <sup>1</sup> / <sub>8</sub>		084465905-0000-10	ARCALUB-X.TUBEFIT-G1/8-SAT186G
G <sup>1</sup> / <sub>4</sub>		079567606-0000-10	ARCALUB-X.TUBEFIT-G1/4-SAT146G
M8×1		8	083654216-0000-10
M10×1	083654356-0000-10		ARCALUB-X.TUBEFIT-M10X1-SAT108G
G <sup>1</sup> / <sub>8</sub>	083654534-0000-10		ARCALUB-X.TUBEFIT-G1/8-SAT188G
G <sup>1</sup> / <sub>4</sub>	083654607-0000-10		ARCALUB-X.TUBEFIT-G1/4-SAT148G

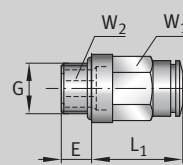
00081266



A



B



C

0004E738

Type	Seal	Width across flats W <sub>1</sub> mm	Hexagon socket nominal dimension W <sub>2</sub> mm	Length		Thread length E mm	Hose insertion depth mm
				L <sub>1</sub> mm	L <sub>2</sub> mm		
A	Flat sealing over O ring	–	1,5	16,5	–	5	15
A	Flat sealing over O ring	–	2,5	16,5	–	7	15
B	Metallic sealing over thread	–	2,5	14,5	–	8	14
A	Flat sealing over O ring	–	2,5	18,5	–	4	16
A	Flat sealing over O ring	–	2,5	18,5	–	4	16
B	Metallic sealing over thread	11	4	25,5	–	4	16
B	Metallic sealing over thread	11	4	25,5	–	8	16
C	Flat sealing over O ring	11	4	18	–	5,5	16
C	Flat sealing over O ring	11	4	15,5	–	7	16
B	Flat sealing over O ring	11	4	20,5	–	7	18
B	Flat sealing over O ring	13	5	20,5	–	6	18
B	Flat sealing over O ring	13	5	20,5	–	6	18
C	Flat sealing over O ring	13	6	16,5	–	7	18

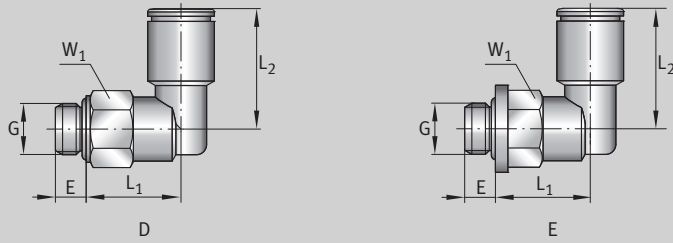


# Fittings, Y pieces, check valves

## Type overview Hose connector parts Type D, E

Hose, push fit			
		D	E
Thread	Hose diameter	Ordering number	Ordering designation
G	mm		
M6×1	4	095777644-0000-10	ARCALUB-X.TUBEFIT-M6-SAT064W
M10×1		095777954-0000-10	ARCALUB-X.TUBEFIT-M10X1-SAT104W
M5×0,8	6	079567401-0000-10	ARCALUB-X.TUBEFIT-M5-SAT056W
M6×1		075676621-0000-10	ARCALUB-X.TUBEFIT-M6-SAT066W
M8×1		079567584-0000-10	ARCALUB-X.TUBEFIT-M8X1-SAT086W
M10×1		076968553-0000-10	ARCALUB-X.TUBEFIT-M10X1-SAT106W
G <sup>1</sup> / <sub>8</sub>		084465964-0000-10	ARCALUB-X.TUBEFIT-G1/8-SAT186W
G <sup>1</sup> / <sub>4</sub>		079567622-0000-10	ARCALUB-X.TUBEFIT-G1/4-SAT146W
M8×1	8	083654275-0000-10	ARCALUB-X.TUBEFIT-M8X1-SAT088W
M10×1		083654402-0000-10	ARCALUB-X.TUBEFIT-M10X1-SAT108W
G <sup>1</sup> / <sub>8</sub>		083654577-0000-10	ARCALUB-X.TUBEFIT-G1/8-SAT188W
G <sup>1</sup> / <sub>4</sub>		083654623-0000-10	ARCALUB-X.TUBEFIT-G1/4-SAT148W

000812C7



000AE73A

Type	Seal	Width across flats W <sub>1</sub> mm	Hexagon socket nominal dimension W <sub>2</sub> mm	Length		Thread length E mm	Hose insertion depth mm
				L <sub>1</sub> mm	L <sub>2</sub> mm		
D	Flat sealing over O ring	9	–	11	18	5	12
D	Flat sealing over O ring	13	–	18,5	20	6	12
D	Flat sealing over O ring	9	–	11	20,5	4	15
D	Flat sealing over O ring	9	–	10,5	21,5	5	16
D	Metallic sealing over thread	9	–	11	21	7	16
D	Flat sealing over O ring	13	–	14	22	6	16
D	Flat sealing over O ring	13	–	14	21	5,5	16
E	Flat sealing over O ring	13	–	16	21	6,5	16
D	Flat sealing over O ring	13	–	14,5	23,5	6	18
D	Flat sealing over O ring	13	–	18,5	23,5	6	18
D	Flat sealing over O ring	13	–	14,5	23,5	5,5	18
E	Flat sealing over O ring	13	–	16,5	23,5	8	18



# Hoses, hose cutters

## Hoses



Figure 1  
Hoses  
for oil and grease lubrication

### Dimensions and materials

Operating temperature =  $-20\text{ °C}$  to  $+80\text{ °C}$   
Compressive strength with linear temperature dependence between  
 $+20\text{ °C}$  (90 bar) and  $+80\text{ °C}$  (35 bar)



Diameter D1×D2 mm	Minimum bending radius R <sub>min</sub> mm	Material
4×2,5	40	PA12
6×3	40	PA12
6×4	35	PA12
8×5	45	PA6.6

### Type overview Hoses for grease lubrication

Suitable for drag chain use, unfilled, black			
Cross-section mm	Length L m	Ordering number	Ordering designation
4×2,5	5	093041241-0000-10	ARCALUB-X.HOSE-4X2,5-PA12-5M
	10	093041195-0000-10	ARCALUB-X.HOSE-4X2,5-PA12-10M
	50	095775854-0000-10	ARCALUB-X.HOSE-4X2,5-PA12-50M
6×4	5	076691217-0000-10	ARCALUB-X.HOSE-PA12-5M
	10	076691497-0000-10	ARCALUB-X.HOSE-PA12-10M
	50	085842109-0000-10	ARCALUB-X.HOSE-PA12-50M
8×5	5	083788573-0000-10	ARCALUB-X.HOSE-PA66-5M
	10	083788581-0000-10	ARCALUB-X.HOSE-PA66-10M
	50	083788603-0000-10	ARCALUB-X.HOSE-PA66-50M

**Note** Prefilling of the hoses by means of a lever grease gun, see page 114, is recommended. The use of standard grease containers, see table, page 116, gives savings in time and cost compared to filling with the lubricators CONCEPT2 and CONCEPT8.

**Type overview  
Hoses for oil lubrication**

Suitable for drag chain use, unfilled, transparent			
Cross-section mm	Length L m	Ordering number	Ordering designation
6×3	5	075526336-0000-10	ARCALUB-X.HOSE-PA12-CLEAR-5M
	10	083788441-0000-10	ARCALUB-X.HOSE-PA12-CLEAR-10M
	25	075527251-0000-10	ARCALUB-X.HOSE-PA12-CLEAR-25M
	1 000	092515851-0000-10	ARCALUB-X.HOSE-PA12-CLEAR-1000M

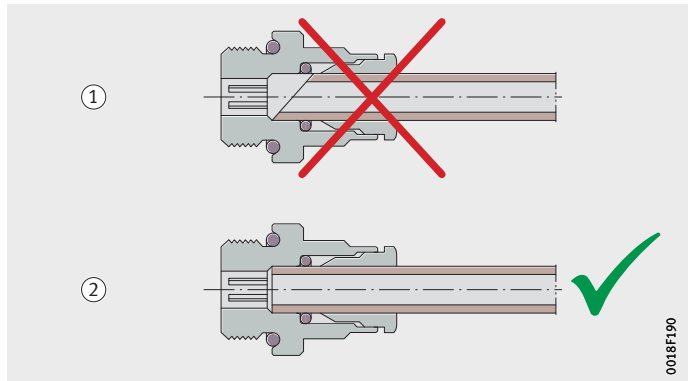
**Hose cutter**

The use of a special hose cutter ensures secure and pressure-tight connection of the lubricant line, *Figure 2*.

**Type overview  
Hose cutter**



Type	Ordering number	Ordering designation
Hose cutter	083788620-0000-10	ARCALUB-X.HOSE-CUTTOOL



- ① Without hose cutter
- ② With hose cutter

*Figure 2*  
Secure connection  
by means of hose cutter



## Demo case, kits

**Demo case** The demo cases are particularly suitable for the External Sales function. Each case contains the essential components of a lubrication system. It can be used to explain the design and function of a lubrication system to the customer and to give an impression of the high quality design of all components.



Demo case for:  
① CONCEPT2  
② CONCEPT8

*Figure 1*  
Demo case



Scope of delivery  
Demo case CONCEPT2

- lubricator CONCEPT2-2P-24VDC (angled connector)
- sample lubricant cartridge for grease lubrication
- lubrication gear
- chain lubrication pinion
- mains power pack
- retaining bracket, including support washers
- box of hose connector parts for lubricant line of diameter = 6 mm
- USB card containing installation and user manual.

Scope of delivery  
Demo case CONCEPT8

- lubricator CONCEPT8-4P
- sample lubricant cartridge for grease lubrication
- lubrication gear
- chain lubrication pinion
- mains power pack
- retaining bracket, including support washers
- box of hose connector parts for lubricant line of diameter = 8 mm
- USB card containing installation and user manual.

Type overview  
Demo case

Type	Ordering number	Ordering designation
Demo case for CONCEPT2	089395433-0000-10	DEMO-ARCALUB-C2-SET
CONCEPT8	084224878-0000-10	DEMO-ARCALUB-C8-SET



## Demo case, kits

### Complete packages for electric motors

The complete package EKIT allows the rapid refitting of electric motors to the lubricator CONCEPT2. In addition to the lubricator, it contains all the accessories required for mounting and installation. It thus facilitates simple conversion to fully automatic relubrication.



Figure 2  
Mounting example  
CONCEPT2 EKIT

The voltage supply for lubricator CONCEPT2 is either provided by battery or externally (DC 24 V, with mains connection cable).

#### Scope of delivery

The complete package EKIT comprises:

- lubricator CONCEPT2 (angled connector)
- battery (for CONCEPT2 with battery operation)
- mains connection cable, straight plug, no LED, cable length 10 m (for CONCEPT2 with mains connection)
- hose of outside diameter = 6 mm, length = 3 m
- device holder ARCALUB-C2.HOLDER-KIT, see page 69.  
The universal locating bracket, when fixed by means of the eye bolt on an electric motor, can be mounted in a 45° or 90° position
- hose connector parts of angled design, for interchange with existing lubrication nipples:
  - 2 pieces with thread M10×1
  - 2 pieces with thread M8×1
  - 2 pieces with thread G<sup>1</sup>/<sub>8</sub>.

#### Type overview Complete packages

Type	Ordering number	Ordering designation
CONCEPT2 EKIT (battery)	092662269-0000-10	ARCALUB-C2-2P-EKIT
CONCEPT2 EKIT (mains DC 24 V)	092662277-0000-10	ARCALUB-C2-2P-24VDC-EKIT

#### Note

Grease cartridges must be ordered separately, see page 58.

## Seal kit for CONCEPT8

The seal kit includes:

- axial housing seal
- grub screw M3×4
- O ring 37,5×3 as inlay seal (FKM).

The seal kit is solely intended for replacing the seals in the automatic lubricators CONCEPT8, *Figure 3*.

- ① Axial housing seal
- ② Grub screw M3×4
- ③ O ring 37,5 × 3

*Figure 3*  
Installation position of the components of the seal kit for CONCEPT8



### Type overview Seal kit for CONCEPT8

Type	Ordering number	Ordering designation
Seal kit for CONCEPT8	094977291-0000-10	ARCALUB-C8.SEAL-KIT



## Demo case, kits

### Cover kits

Each cover kit includes:

- upper housing section
- collar ring
- action pin
- O ring
- spring
- pressure plate.



Figure 4  
Cover kit

### Type overview Cover kits

Type	Ordering number	Ordering designation
Cover kit for CONCEPT2	092860915-0000-10	ARCALUB-C2.COVER-KIT
CONCEPT4	095111930-0000-10	ARCALUB-C4.COVER-KIT
CONCEPT8	095111948-0000-10	ARCALUB-C8.COVER-KIT



## Accessories for lubricant application

Lubrication gears  
Chain lubrication pinions  
Lubrication rollers



# Accessories for lubricant application

**Lubrication gears** ..... **94**

When lubricating gear wheels, lubrication gears ensure precise and economical metering of lubricant (oils, greases up to NLGI 2).

---

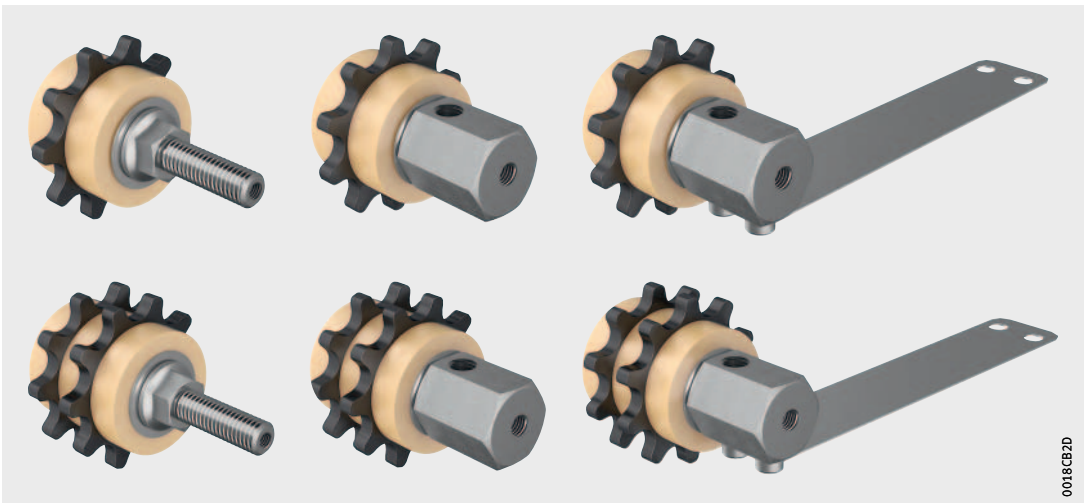
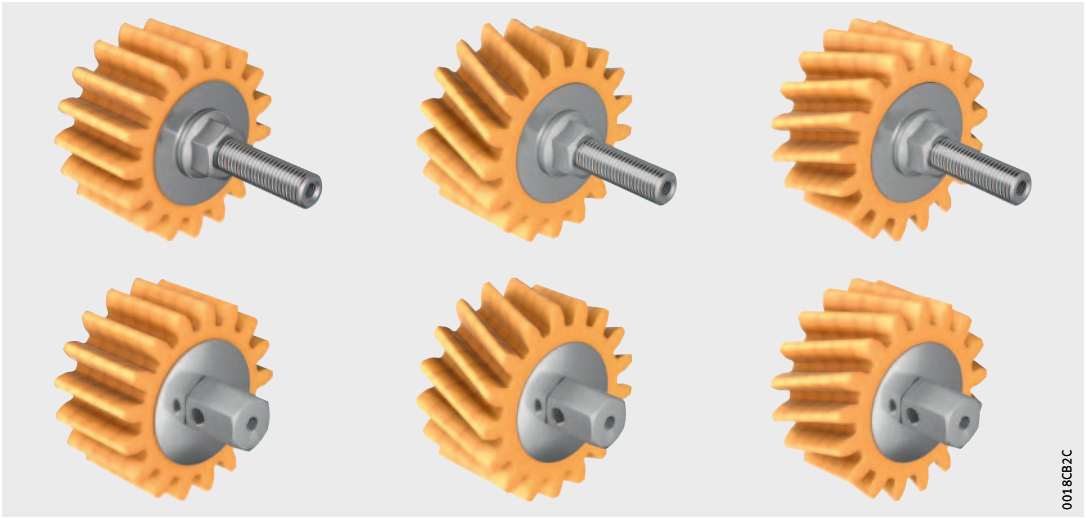
**Chain lubrication pinions** ..... **102**

When lubricating chains, chain lubrication pinions ensure precise and economical metering of chain oil.

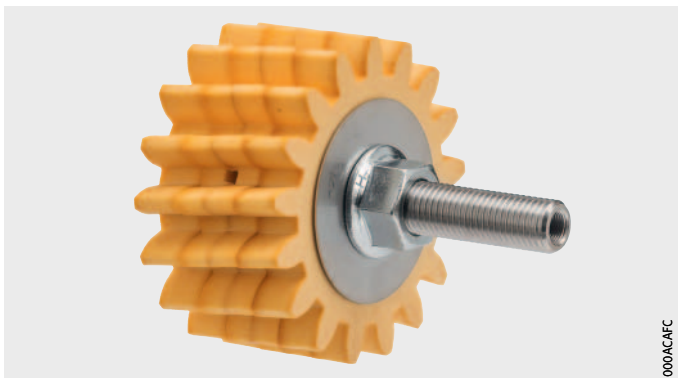
---

**Lubrication rollers** ..... **108**

When lubricating raceways, for example on roller chains, lubrication rollers ensure precise and economical metering of lubricant.



## Lubrication gears



*Figure 1*  
Lubrication gear,  
helical teeth with lubrication hole

Lubrication gears are used for the automatic and continuous relubrication of tooth sets.

The lubrication gear is brought into contact with the tooth set to be lubricated, normally a drive pinion or toothed rack. It transfers the lubricant to the tooth set in contact. There is no transmission of force or torque.

The use of open cell PU foam as a material for lubrication gears ensures optimum supply of lubricant to the tooth set for very long periods. The material used stores the lubricant and dispenses it again in very small metering quantities. This prevents both over-lubrication and lubricant starvation.

### Characteristics

- lubrication gear made from open cell PU foam
- operating temperature:  $-30\text{ }^{\circ}\text{C}$  to  $+150\text{ }^{\circ}\text{C}$
- maximum permissible circumferential speed at the outside diameter of the lubrication gear: 5 m/s
- segmented construction
- little installation work required
- lubricant:
  - oils
  - greases up to NLGI 2 (no solid content).

### Note!

In selection, it must be decided on the basis of design perspectives whether the lubrication gear is to be arranged on the tooth set of a toothed rack or of a drive pinion.

It should preferably be mounted on a drive pinion, since lubricant distribution is better in this case than with mounting on a toothed rack.

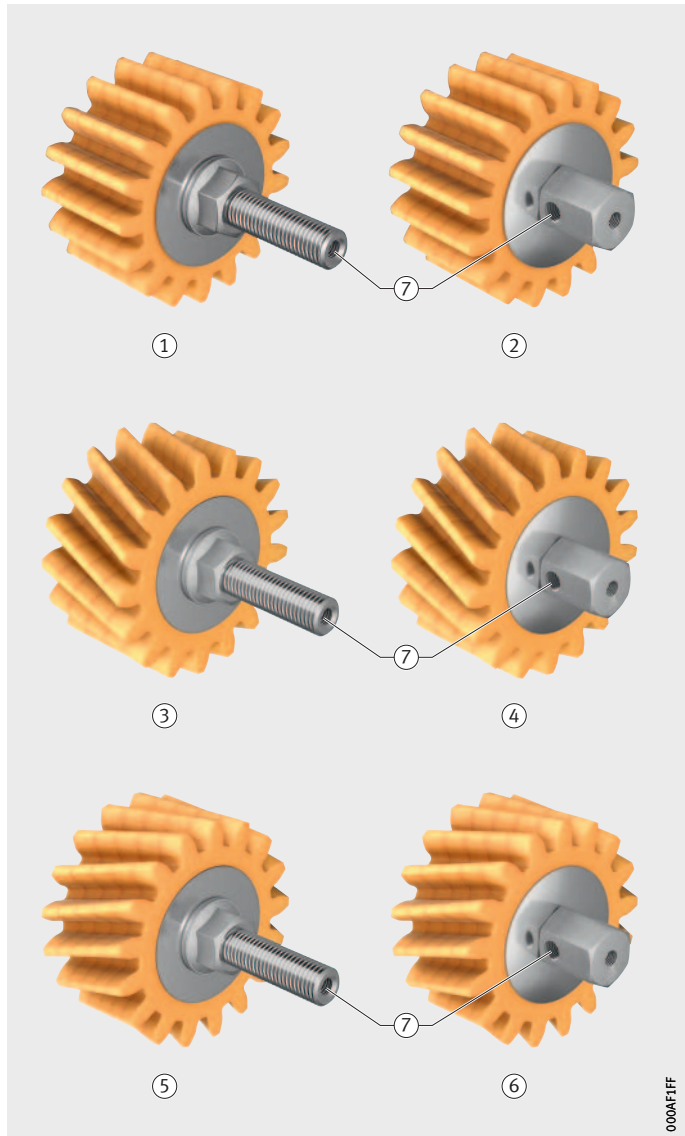


- Straight teeth with:
- ① Axial lubricant feed
  - ② Radial lubricant feed

- Right hand helical teeth with:
- ③ Axial lubricant feed
  - ④ Radial lubricant feed

- Left hand helical teeth with:
- ⑤ Axial lubricant feed
  - ⑥ Radial lubricant feed

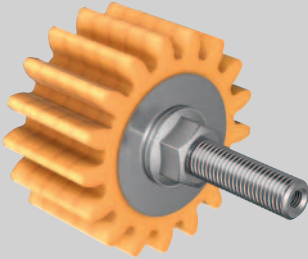
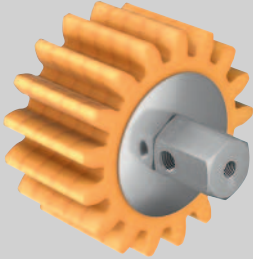
- ⑦ Connector for lubricant feed

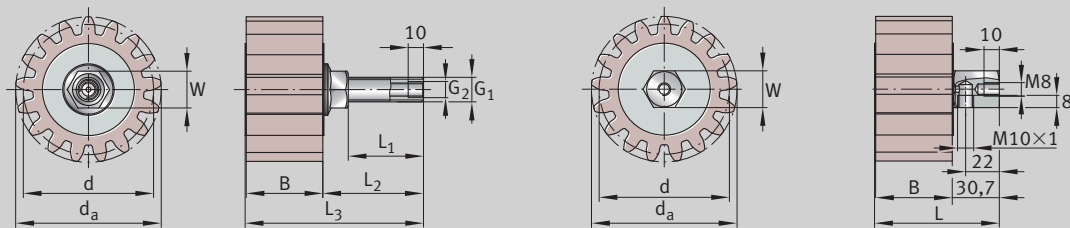


*Figure 2*  
Designs of lubrication gears

# Lubrication gears

## Type overview Lubrication gears, straight teeth

Lubricant feed, axial		Lubricant feed, radial
		
A		B
000B275F		
Type	Ordering number	Ordering designation
A	093283016-0000-10	ARCALUB-X.PINION-MD1,5-Z24-B15-G-G
	093283032-0000-10	ARCALUB-X.PINION-MD2,0-Z17-B20-G-G
	093283059-0000-10	ARCALUB-X.PINION-MD3,0-Z17-B30-G-G
	093283075-0000-10	ARCALUB-X.PINION-MD4,0-Z17-B40-G-G
	093283091-0000-10	ARCALUB-X.PINION-MD5,0-Z17-B50-G-G
	093283113-0000-10	ARCALUB-X.PINION-MD6,0-Z17-B60-G-G
	093283130-0000-10	ARCALUB-X.PINION-MD8,0-Z17-B80-G-G
	093283156-0000-10	ARCALUB-X.PINION-MD10,0-Z17-B100-G-G
B	093283024-0000-10	ARCALUB-X.PINION-MD1,5-Z24-B15-G-W
	093283040-0000-10	ARCALUB-X.PINION-MD2,0-Z17-B20-G-W
	093283067-0000-10	ARCALUB-X.PINION-MD3,0-Z17-B30-G-W
	093283083-0000-10	ARCALUB-X.PINION-MD4,0-Z17-B40-G-W
	093283105-0000-10	ARCALUB-X.PINION-MD5,0-Z17-B50-G-W
	093283121-0000-10	ARCALUB-X.PINION-MD6,0-Z17-B60-G-W
	093283148-0000-10	ARCALUB-X.PINION-MD8,0-Z17-B80-G-W
	093283164-0000-10	ARCALUB-X.PINION-MD10,0-Z17-B100-G-W



A

B

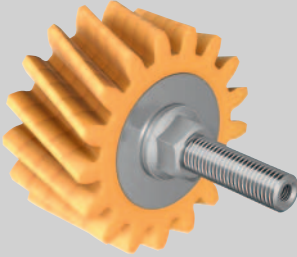
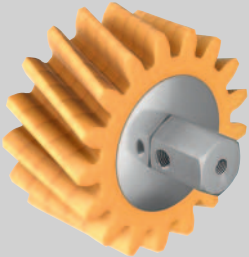
000B2768

Modulus mm	Teeth Quantity	Pitch circle diameter d mm	Dimensions							Thread		Width across flats W mm	Helix angle °
			d <sub>a</sub> mm	B mm	L mm	L <sub>1</sub> mm	L <sub>2</sub> mm	L <sub>3</sub> mm	G <sub>1</sub>	G <sub>2</sub>			
1,5	24	36	39	15	–	34	44,7	60,4	M10	M6	15	0	
2	17	34	38	20	–	32	42,5	63,2	M10	M6	15	0	
3	17	51	57	30	–	30	40,5	71,2	M10	M6	15	0	
4	17	68	76	40	–	30	40,5	81,2	M10	M6	15	0	
5	17	85	95	50	–	49	65,7	116,4	M16	M10×1	24	0	
6	17	102	114	60	–	49	75,7	126,4	M16	M10×1	24	0	
8	17	136	152	80	–	49	95,7	146,4	M16	M10×1	24	0	
10	17	170	190	100	–	49	115,7	166,4	M16	M10×1	24	0	
1,5	24	36	39	15	46,4	–	–	–	–	–	–	0	
2	17	34	38	20	51,4	–	–	–	–	–	–	0	
3	17	51	57	30	61,4	–	–	–	–	–	–	0	
4	17	68	76	40	71,4	–	–	–	–	–	–	0	
5	17	85	95	50	81,4	–	–	–	–	–	–	0	
6	17	102	114	60	91,4	–	–	–	–	–	–	0	
8	17	136	152	80	111	–	–	–	–	–	–	0	
10	17	170	190	100	131	–	–	–	–	–	–	0	

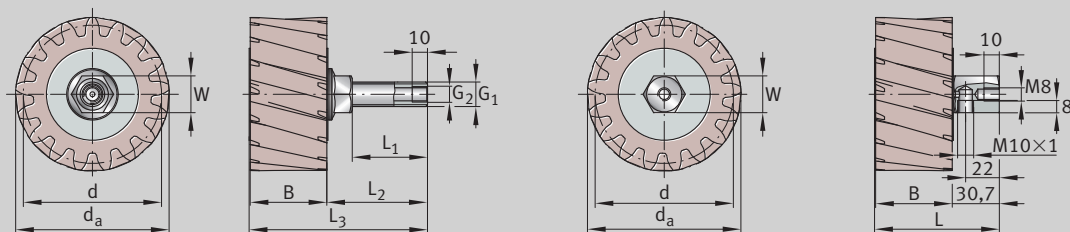


# Lubrication gears

Type overview  
Lubrication gears,  
right hand helical teeth

Lubricant feed, axial		Lubricant feed, radial
		
A		B
Type	Ordering number	Ordering designation
A	093283172-0000-10	ARCALUB-X.PINION-MD1,5-Z24-B15-SR-G
	093283199-0000-10	ARCALUB-X.PINION-MD2,0-Z17-B20-SR-G
	093283210-0000-10	ARCALUB-X.PINION-MD3,0-Z17-B30-SR-G
	093283237-0000-10	ARCALUB-X.PINION-MD4,0-Z17-B40-SR-G
	093283253-0000-10	ARCALUB-X.PINION-MD5,0-Z17-B50-SR-G
	093283270-0000-10	ARCALUB-X.PINION-MD6,0-Z17-B60-SR-G
	093283296-0000-10	ARCALUB-X.PINION-MD8,0-Z17-B80-SR-G
B	093283318-0000-10	ARCALUB-X.PINION-MD10,0-Z17-B100-SR-G
	093283180-0000-10	ARCALUB-X.PINION-MD1,5-Z24-B15-SR-W
	093283202-0000-10	ARCALUB-X.PINION-MD2,0-Z17-B20-SR-W
	093283229-0000-10	ARCALUB-X.PINION-MD3,0-Z17-B30-SR-W
	093283245-0000-10	ARCALUB-X.PINION-MD4,0-Z17-B40-SR-W
	093283261-0000-10	ARCALUB-X.PINION-MD5,0-Z17-B50-SR-W
	093283288-0000-10	ARCALUB-X.PINION-MD6,0-Z17-B60-SR-W
093283300-0000-10	ARCALUB-X.PINION-MD8,0-Z17-B80-SR-W	
	093283326-0000-10	ARCALUB-X.PINION-MD10,0-Z17-B100-SR-W

00082771



A

B

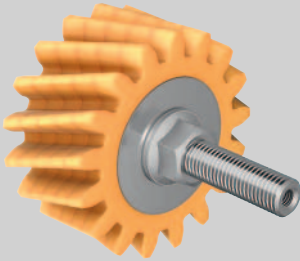
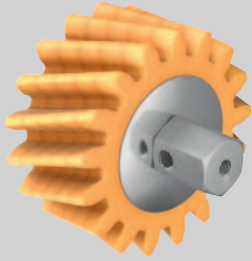
000377A

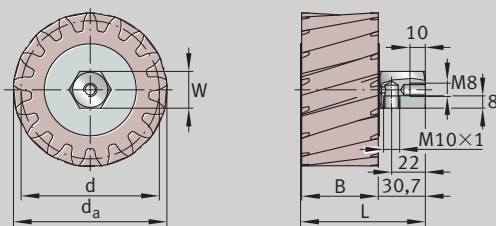
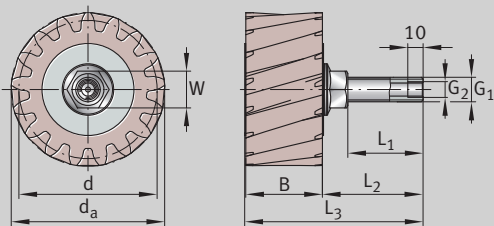
Modulus mm	Teeth Quantity	Pitch circle diameter d mm	Dimensions						Thread		Width across flats W mm	Helix angle °
			d <sub>a</sub> mm	B mm	L mm	L <sub>1</sub> mm	L <sub>2</sub> mm	L <sub>3</sub> mm	G <sub>1</sub>	G <sub>2</sub>		
1,5	24	38,2	41,2	15	-	34	44,7	60,4	M10	M6	15	19,53
2	17	36,08	40,1	20	-	32	42,5	63,2	M10	M6	15	19,53
3	17	54,11	60,1	30	-	30	40,5	71,2	M10	M6	15	19,53
4	17	72,15	80,2	40	-	30	40,5	81,2	M10	M6	15	19,53
5	17	90,19	100,2	50	-	49	65,7	116,4	M16	M10×1	24	19,53
6	17	108,23	120,2	60	-	49	75,7	126,4	M16	M10×1	24	19,53
8	17	144,3	160,3	80	-	49	95,7	146,4	M16	M10×1	24	19,53
10	17	180,38	200,4	100	-	49	115,7	166,4	M16	M10×1	24	19,53
1,5	24	38,2	41,2	15	46,4	-	-	-	-	-	-	19,53
2	17	36,08	40,1	20	51,4	-	-	-	-	-	-	19,53
3	17	54,11	60,1	30	61,4	-	-	-	-	-	-	19,53
4	17	72,15	80,2	40	71,4	-	-	-	-	-	-	19,53
5	17	90,19	100,2	50	81,4	-	-	-	-	-	-	19,53
6	17	108,23	120,2	60	91,4	-	-	-	-	-	-	19,53
8	17	144,3	160,3	80	111	-	-	-	-	-	-	19,53
10	17	180,38	200,4	100	131	-	-	-	-	-	-	19,53



# Lubrication gears

Type overview  
Lubrication gears,  
left hand helical teeth

Lubricant feed, axial		Lubricant feed, radial
 <p style="text-align: center;">A</p>		 <p style="text-align: center;">B</p>
000B2783		
Type	Ordering number	Ordering designation
A	093283334-0000-10	ARCALUB-X.PINION-MD1,5-Z24-B15-SL-G
	093283350-0000-10	ARCALUB-X.PINION-MD2,0-Z17-B20-SL-G
	093283377-0000-10	ARCALUB-X.PINION-MD3,0-Z17-B30-SL-G
	093283393-0000-10	ARCALUB-X.PINION-MD4,0-Z17-B40-SL-G
	093283415-0000-10	ARCALUB-X.PINION-MD5,0-Z17-B50-SL-G
	093283431-0000-10	ARCALUB-X.PINION-MD6,0-Z17-B60-SL-G
	093283458-0000-10	ARCALUB-X.PINION-MD8,0-Z17-B80-SL-G
B	093283474-0000-10	ARCALUB-X.PINION-MD10,0-Z17-B100-SL-G
	093283342-0000-10	ARCALUB-X.PINION-MD1,5-Z24-B15-SL-W
	093283369-0000-10	ARCALUB-X.PINION-MD2,0-Z17-B20-SL-W
	093283385-0000-10	ARCALUB-X.PINION-MD3,0-Z17-B30-SL-W
	093283407-0000-10	ARCALUB-X.PINION-MD4,0-Z17-B40-SL-W
	093283423-0000-10	ARCALUB-X.PINION-MD5,0-Z17-B50-SL-W
	093283440-0000-10	ARCALUB-X.PINION-MD6,0-Z17-B60-SL-W
	093283466-0000-10	ARCALUB-X.PINION-MD8,0-Z17-B80-SL-W
	093283482-0000-10	ARCALUB-X.PINION-MD10,0-Z17-B100-SL-W



A

B

000278C

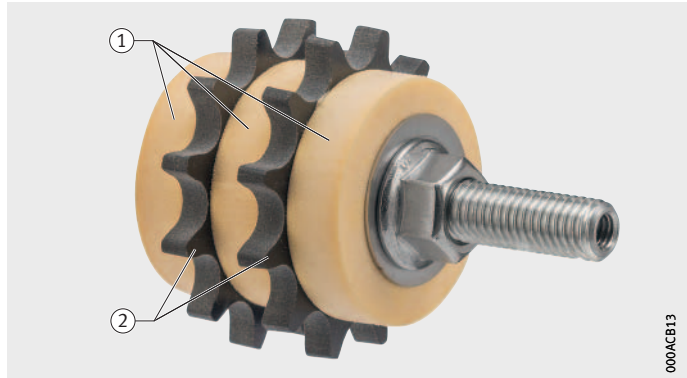
Modulus mm	Teeth Quantity	Pitch circle diameter d mm	Dimensions							Thread		Width across flats W mm	Helix angle °
			da mm	B mm	L mm	L <sub>1</sub> mm	L <sub>2</sub> mm	L <sub>3</sub> mm	G <sub>1</sub>	G <sub>2</sub>			
1,5	24	38,2	41,2	15	–	34	44,7	60,4	M10	M6	15	19,53	
2	17	36,08	40,1	20	–	32	42,5	63,2	M10	M6	15	19,53	
3	17	54,11	60,1	30	–	30	40,5	71,2	M10	M6	15	19,53	
4	17	72,15	80,2	40	–	30	40,5	81,2	M10	M6	15	19,53	
5	17	90,19	100,2	50	–	49	65,7	116,4	M16	M10×1	24	19,53	
6	17	108,23	120,2	60	–	49	75,7	126,4	M16	M10×1	24	19,53	
8	17	144,3	160,3	80	–	49	95,7	146,4	M16	M10×1	24	19,53	
10	17	180,38	200,4	100	–	49	115,7	166,4	M16	M10×1	24	19,53	
1,5	24	38,2	41,2	15	46,4	–	–	–	–	–	–	19,53	
2	17	36,08	40,1	20	51,4	–	–	–	–	–	–	19,53	
3	17	54,11	60,1	30	61,4	–	–	–	–	–	–	19,53	
4	17	72,15	80,2	40	71,4	–	–	–	–	–	–	19,53	
5	17	90,19	100,2	50	81,4	–	–	–	–	–	–	19,53	
6	17	108,23	120,2	60	91,4	–	–	–	–	–	–	19,53	
8	17	144,3	160,3	80	111	–	–	–	–	–	–	19,53	
10	17	180,38	200,4	100	131	–	–	–	–	–	–	19,53	



# Chain lubrication pinions

- ① Rollers made from PU foam
- ② Chain pinion

*Figure 1*  
Chain lubrication pinion  
in duplex design



Chain lubrication pinions are used to supply chains with chain oil according to requirements and fully automatically.

The rollers are made from open cell PU foam and transfer very small quantities of oil to the highest points on the chain links. From there, the oil reaches the spaces between the links and thus to the decisive lubrication points between the pins and sleeves. There is no coating of other surfaces of the chain with oil, which is unnecessary and even damaging.

The chain pinions, made from a special plastic, transmit the force necessary to drive the rollers. Despite the non-uniform surface of the chain links, very quiet running of the chain lubrication pinion can be achieved even at very high speeds.

The contact force of the PU rollers responsible for lubricant transfer to the chain is automatically adjusted to the optimum value since the chain rollers are always at the base of the pinion. This prevents wear of the PU rollers. There is no slippage between the PU rollers and the chain surface.

## Characteristics

- chain pinion made from plastic
- lubricant application by means of rollers made from open cell PU foam
- operating temperature:  $-30\text{ °C}$  to  $+150\text{ °C}$
- maximum permissible circumferential speed at the outside diameter of the chain pinion: 7 m/s
- lubricant: oil.

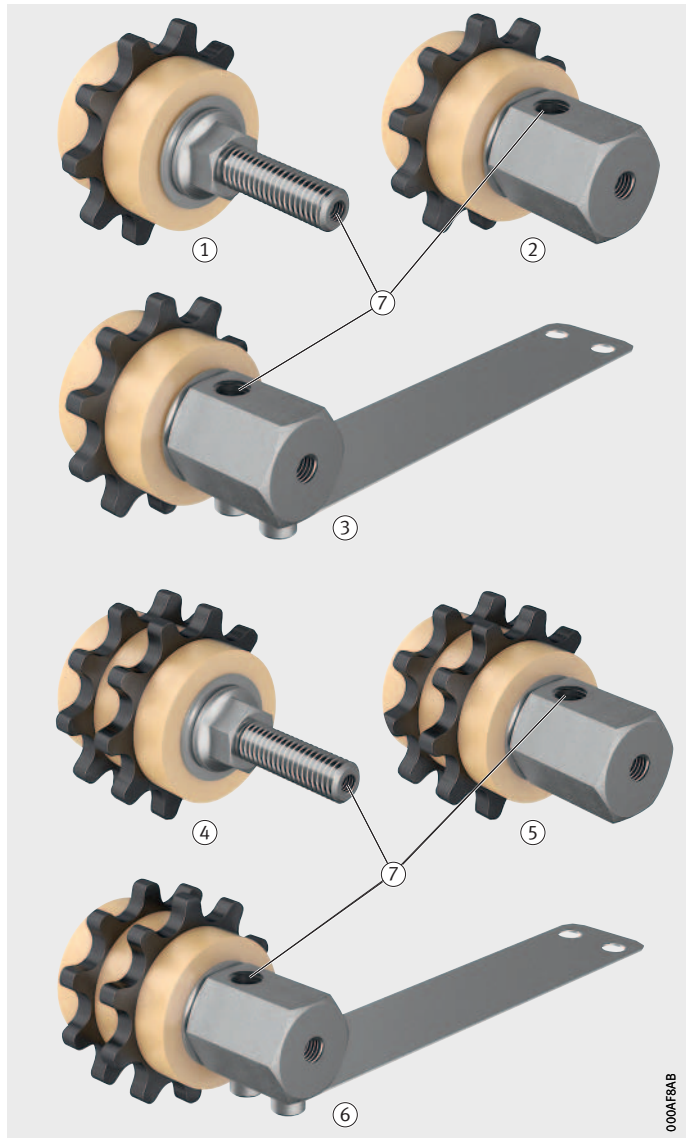
## Note!

At very high chain speeds of approx. 2,5 m/s or more, we recommend that the customer fits a cover to give protection against oil flow off by centrifugal force.



- Simplex design with:
- ① Axial lubricant feed
  - ② Radial lubricant feed
  - ③ Radial lubricant feed and spring plate
- Duplex design with:
- ④ Axial lubricant feed
  - ⑤ Radial lubricant feed
  - ⑥ Radial lubricant feed and spring plate
- ⑦ Connector for lubricant feed

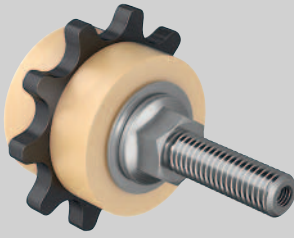
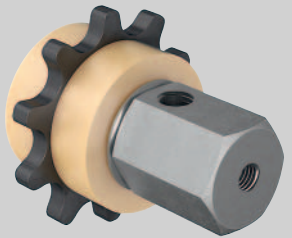
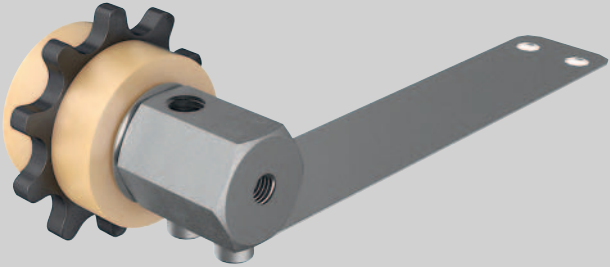
*Figure 2*  
**Designs**  
of chain lubrication pinions



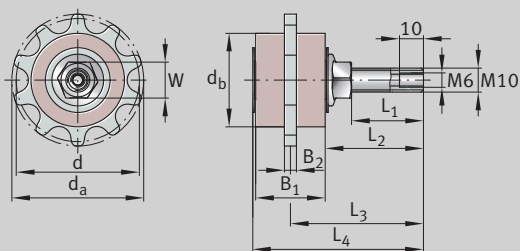
000AF8AB

# Chain lubrication pinions

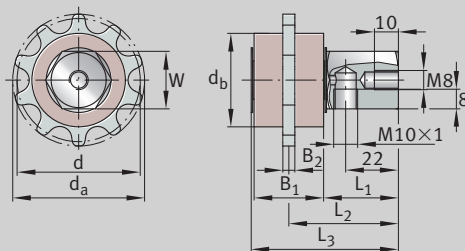
## Type overview Chain lubrication pinions in simplex design

Lubricant feed, axial		Lubricant feed, radial	
 <p>A</p>		 <p>B</p>	
000B2795			
Lubricant feed, radial, with spring plate			
 <p>C</p>			
000AF830			
Type	Ordering number	Ordering designation	
A	093283490-0000-10	ARCALUB-X.CHAIN-PINION-08AB1-Z12-G	
	093283547-0000-10	ARCALUB-X.CHAIN-PINION-10AB1-Z10-G	
	093283601-0000-10	ARCALUB-X.CHAIN-PINION-12B1-Z8-G	
	093283652-0000-10	ARCALUB-X.CHAIN-PINION-16B1-Z8-G	
B	093283504-0000-10	ARCALUB-X.CHAIN-PINION-08AB1-Z12-W	
	093283555-0000-10	ARCALUB-X.CHAIN-PINION-10AB1-Z10-W	
	093283610-0000-10	ARCALUB-X.CHAIN-PINION-12B1-Z8-W	
	093283660-0000-10	ARCALUB-X.CHAIN-PINION-16B1-Z8-W	
C	093283512-0000-10	ARCALUB-X.CHAIN-PINION-08AB1-Z12-WF	
	093283563-0000-10	ARCALUB-X.CHAIN-PINION-10AB1-Z10-WF	
	093283679-0000-10	ARCALUB-X.CHAIN-PINION-16B1-Z8-WF	

1) A DIN 8188  
(American design, ANSI: American National Standards Institute)  
B DIN 8187  
(European design, British Standard)

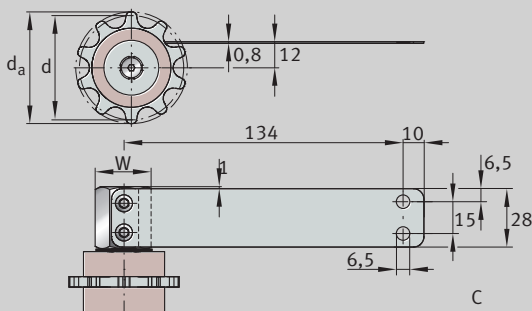


A



B

000B279E



C

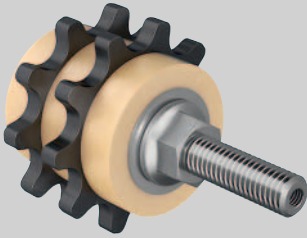
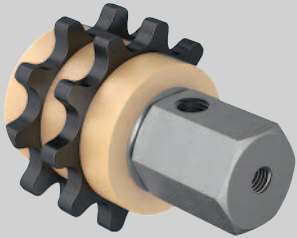
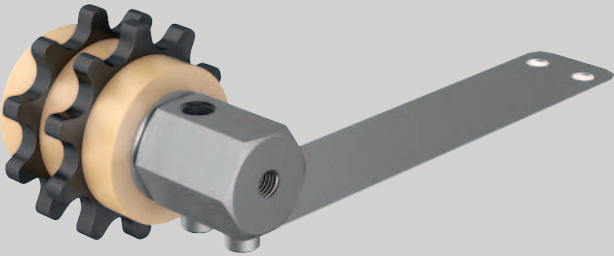
000AEAAA

Chain type according to ISO 606 <sup>1)</sup>	Teeth Quantity	Pitch circle diameter d mm	Dimensions								Width across flats	
			da mm	db mm	B <sub>1</sub> mm	B <sub>2</sub> mm	L <sub>1</sub> mm	L <sub>2</sub> mm	L <sub>3</sub> mm	L <sub>4</sub> mm	W mm	mm
08 A/B-1	12	49,07	53	39	29	5	30	41	55,5	71,2	15	
10 A/B-1	10	51,37	55	39	29	5	30	41	55,5	71,2	15	
12 B-1	8	49,78	55	36	29	5	30	41	55,5	71,2	15	
16 B-1	8	66,37	75	48	40	10	30	40,5	40	81,2	15	
08 A/B-1	12	49,07	53	39	29	5	31,2	45,7	61,4	-	24	
10 A/B-1	10	51,37	55	39	29	5	31,2	45,7	61,4	-	24	
12 B-1	8	49,78	55	36	29	5	31,2	45,7	61,4	-	24	
16 B-1	8	66,37	75	48	40	10	30,7	50,7	71,4	-	24	
08 A/B-1	12	49,07	53	39	29	5	31,2	45,7	61,4	-	24	
10 A/B-1	10	51,37	55	39	29	5	31,2	45,7	61,4	-	24	
16 B-1	8	66,37	75	48	40	10	30,7	50,7	71,4	-	24	

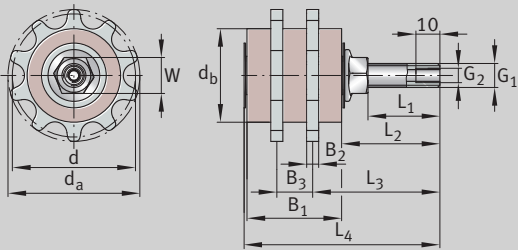


# Chain lubrication pinions

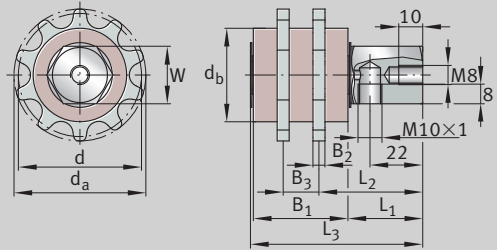
## Type overview Chain lubrication pinions in duplex design

Lubricant feed, axial		Lubricant feed, radial
 <p>A</p>		 <p>B</p>
000B27A7		
Lubricant feed, radial, with spring plate		
 <p>C</p>		
000AF85A		
Type	Ordering number	Ordering designation
A	093283520-0000-10	ARCALUB-X.CHAIN-PINION-08AB2-Z12-G
	093283571-0000-10	ARCALUB-X.CHAIN-PINION-10AB2-Z10-G
	093283628-0000-10	ARCALUB-X.CHAIN-PINION-12B2-Z8-G
	093283687-0000-10	ARCALUB-X.CHAIN-PINION-16B2-Z8-G
B	093283539-0000-10	ARCALUB-X.CHAIN-PINION-08AB2-Z12-W
	093283580-0000-10	ARCALUB-X.CHAIN-PINION-10AB2-Z10-W
	093283636-0000-10	ARCALUB-X.CHAIN-PINION-12B2-Z8-W
	093283695-0000-10	ARCALUB-X.CHAIN-PINION-16B2-Z8-W
C	093283598-0000-10	ARCALUB-X.CHAIN-PINION-10AB2-Z10-WF
	093283644-0000-10	ARCALUB-X.CHAIN-PINION-12B2-Z8-WF
	093283709-0000-10	ARCALUB-X.CHAIN-PINION-16B2-Z8-WF

- 1) A DIN 8188  
(American design, ANSI: American National Standards Institute)  
B DIN 8187  
(European design, British Standard)

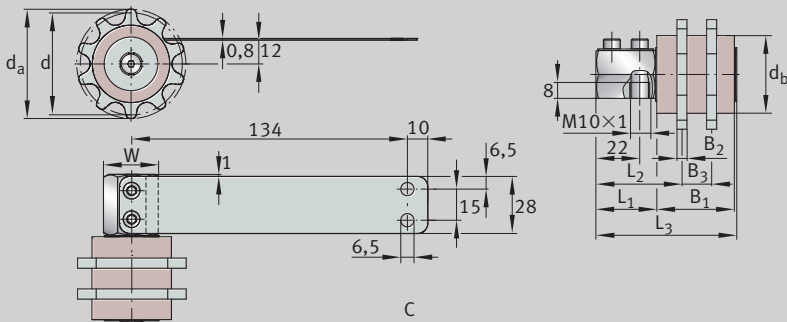


A



B

000B780



C

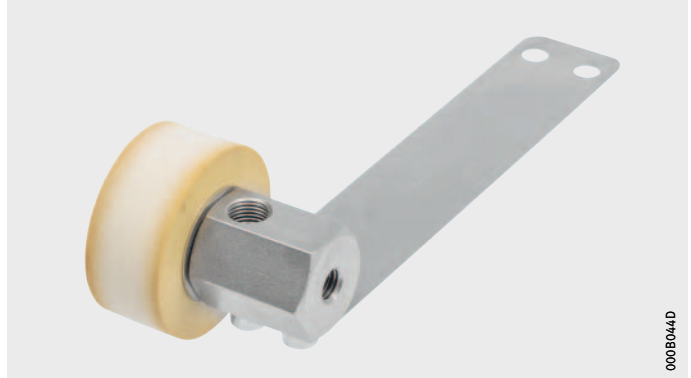
000AF35B

Chain type according to ISO 606 <sup>1)</sup>	Teeth Quantity	Pitch circle diameter d mm	Dimensions									Thread		Width across flats W mm
			d <sub>a</sub> mm	d <sub>b</sub> mm	B <sub>1</sub> mm	B <sub>2</sub> mm	B <sub>3</sub> mm	L <sub>1</sub> mm	L <sub>2</sub> mm	L <sub>3</sub> mm	L <sub>4</sub> mm	G <sub>1</sub>	G <sub>2</sub>	
08 A/B-2	12	49,07	53	39	29	5	15	30	41	55,5	71,2	M10	M6	15
10 A/B-2	10	51,37	55	39	29	5	15	30	41	55,5	71,2	M10	M6	15
12 B-2	8	49,78	55	36	29	5	15	30	41	55,5	71,2	M10	M6	15
16 B-2	8	66,37	75	48	40	10	30	30	40,5	40	81,2	M16	M10×1	15
08 A/B-2	12	49,07	53	39	29	5	15	31,2	45,7	61,4	-	-	-	24
10 A/B-2	10	51,37	55	39	29	5	15	31,2	45,7	61,4	-	-	-	24
12 B-2	8	49,78	55	36	29	5	15	31,2	45,7	61,4	-	-	-	24
16 B-2	8	66,37	75	48	40	10	30	30,7	50,7	71,4	-	-	-	24
10 A/B-2	12	49,07	53	39	29	5	15	31,2	45,7	61,4	-	-	-	24
12 B-2	10	51,37	55	39	29	5	15	31,2	45,7	61,4	-	-	-	24
16 B-2	8	66,37	75	48	40	10	30	30,7	50,7	71,4	-	-	-	24



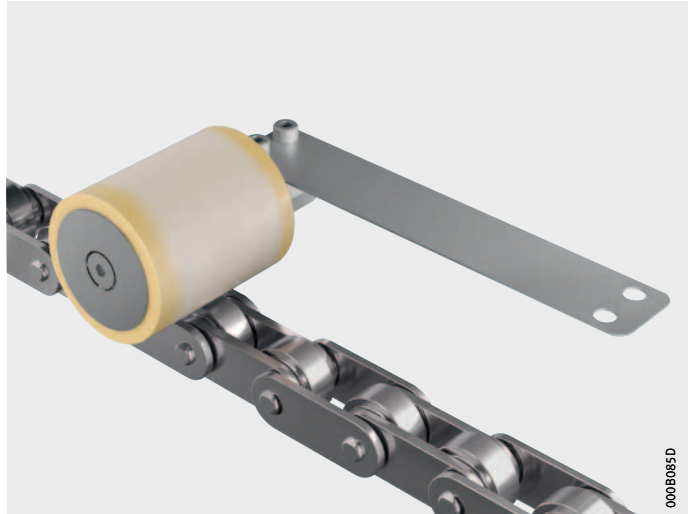
## Lubrication rollers

*Figure 1*  
Lubrication roller



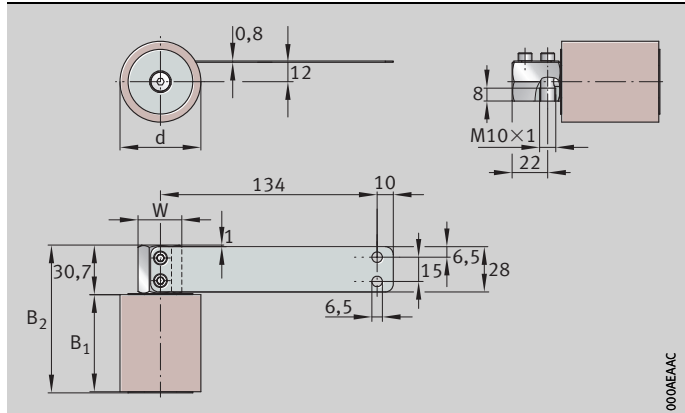
In lubrication rollers, lubricant is applied by means of rollers made from open cell PU foam. All designs are fitted with a spring plate, *Figure 1*.

*Figure 2*  
Lubrication of a roller chain by means of a lubrication roller



Lubrication rollers are used for the lubrication of raceways, for example on roller chains, *Figure 2*.

**Type overview**  
**Lubrication rollers**



Dimensions			Width across flats W mm	Ordering number	Ordering designation
d mm	B <sub>1</sub> mm	B <sub>2</sub> mm			
30	45	76,4	24	093283717-0000-10	ARCALUB-X.ROLE-D30-B45-WF
40	30	61,4	24	093283725-0000-10	ARCALUB-X.ROLE-D40-B30-WF
50	40	71,4	24	093283733-0000-10	ARCALUB-X.ROLE-D50-B40-WF
50	60	91,4	24	093283741-0000-10	ARCALUB-X.ROLE-D50-B60-WF
60	45	76,4	24	093283750-0000-10	ARCALUB-X.ROLE-D60-B45-WF









## Manual lubrication tools

Lever grease gun

Drum pumps

Grease pistols

Transport aids



# Manual lubrication tools

## Lever grease gun ..... 114

The lever grease gun is suitable for high lubrication pressures. The proven TWIN-LOCK system protects the lever grease gun against abrasion during continuous operation and prevents the risk of quasi-lubrication to machines and equipment.

---

## Drum pumps ..... 118

Manual and pneumatic drum pumps are suitable for delivering large quantities of grease under high pressure over long distances. However, they can also be used to fill the CONCEPT lubricators and associated cartridges.

When directly inserted in the original container, they facilitate economical use (less time required and optimal emptying). At the same time, they reduce the risk of lubricant contamination.

---

## Grease pistols ..... 126

The range of grease pistols extends from simple grease pistols to volumetric metering pistols with digital flow rate measurement.

---

## Transport aids ..... 128

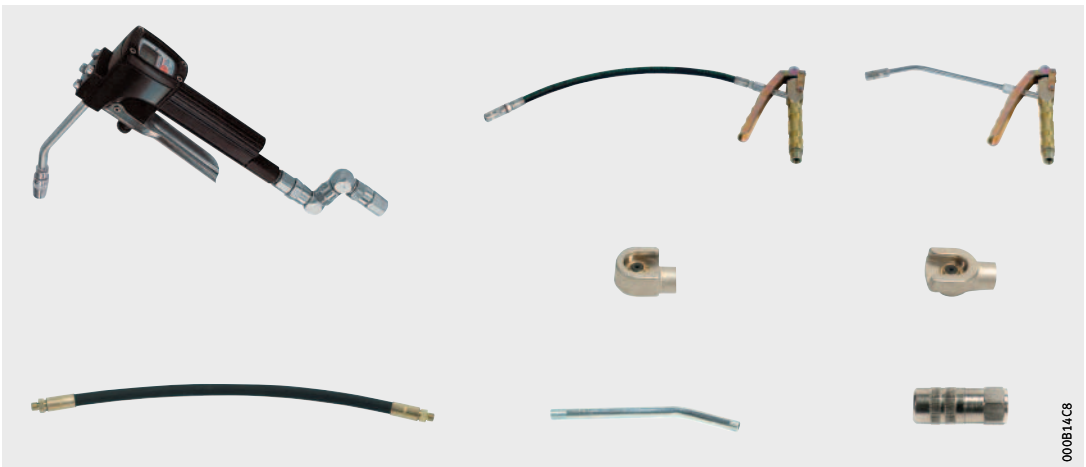
Carry grips and trolleys allow the mobile use of drum pumps at any location. Trolleys are available in different designs and for different container sizes.



0016F2E9



0016F0BB



000B14C8



0016F312

## Lever grease gun



*Figure 1*  
Lever grease gun  
ARCA-GREASE-GUN

The lever grease gun ARCA-GREASE-GUN can be used to achieve high lubrication pressures without issue.

The proven TWIN-LOCK system protects the piston guide of the lever grease gun against wear-induced abrasion during continuous operation and thus prevents the risk of quasi-lubrication to machines and equipment.

The EVER-FLOW system ensures that the lever grease gun functions correctly even with highly viscous grease and very low temperatures. Due to the vacuum created during the pumping operation, even tough biological grease can be delivered easily.

### Technical data

Feature		Value
Fill quantity	Grease cartridge	400 g (up to NLGI 3)
	Loose grease	500 cm <sup>3</sup> (up to NLGI 3)
Operating pressure		400 bar
Delivery rate		≈ 1,9 cm <sup>3</sup> /Stroke length
Pressure pipe	Material	Steel, zinc-coated
	Diameter	56 mm
	Length	296 mm
Threaded connector		G <sup>1</sup> / <sub>8</sub>

**Type overview**  
**Lever grease gun**

Type	Ordering number	Ordering designation
Lever grease gun	039064115-0000-10	ARCA-GREASE-GUN

**Type overview**  
**Hose with plug-in coupling**

Hose including 4 jaw nozzle for taper type lubrication nipples to DIN 71412, threaded connector R<sup>1</sup>/<sub>8</sub> (both sides)



000E48E2

Type	Length L mm	Ordering number	Ordering designation
Hose	300	039064123-0000-10	ARCA-GREASE-GUN.HOSE

**Type overview**  
**Hose with slide coupling**

Hose including slide coupling, for button head lubrication nipples to DIN 3404-16, threaded connector R<sup>1</sup>/<sub>8</sub> (both sides)



000AE28F

Type	Length L mm	Ordering number	Ordering designation
Hose	300	039697010-0000-10	ARCA-GREASE-GUN.HOOK-ON-HOSE



# Lever grease gun

## Type overview Arcanol grease cartridges



Type	Ordering number	Ordering designation
400-g cartridge containing		
Arcanol CLEAN-M	069429111-0000-10	ARCANOL-CLEAN-M-400G
Arcanol FOOD2	019143648-0000-10	ARCANOL-FOOD2-400G
Arcanol LOAD150	055358152-0000-10	ARCANOL-LOAD150-400G
Arcanol LOAD220	064741028-0000-10	ARCANOL-LOAD220-400G
Arcanol LOAD400	019143818-0000-11	ARCANOL-LOAD400-400G
Arcanol LOAD460	065825144-0000-10	ARCANOL-LOAD460-400G
Arcanol MULTI2	019143893-0000-11	ARCANOL-MULTI2-400G
Arcanol MULTI3	016727355-0000-11	ARCANOL-MULTI3-400G
Arcanol MULTITOP	019144016-0000-11	ARCANOL-MULTITOP-400G
Arcanol SPEED2,6	062447610-0000-10	ARCANOL-SPEED2,6-400G
Arcanol TEMP90	019144172-0000-10	ARCANOL-TEMP90-400G
Arcanol TEMP110	019144075-0000-10	ARCANOL-TEMP110-400G
Arcanol VIB3	055289568-0000-10	ARCANOL-VIB3-400G

## Further information

### Technical Product Information:

- TPI 168 Arcanol Rolling Bearing Greases  
<https://www.schaeffler.de/std/1F66>

### Datasheet:

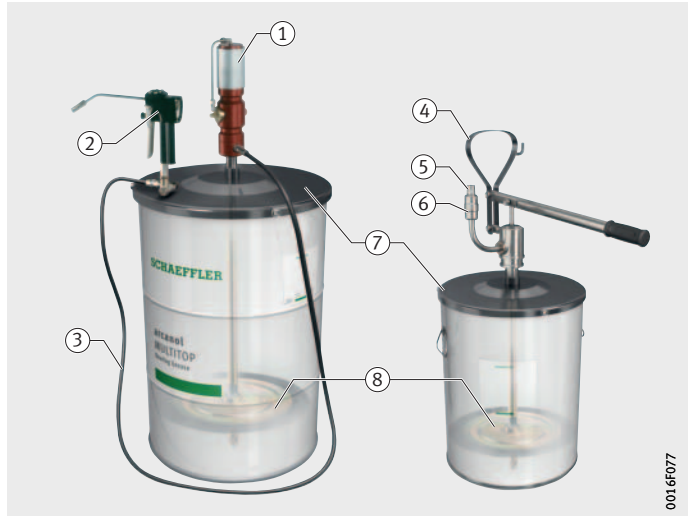
- FAS Arcanol Rolling Bearing Greases  
<https://www.schaeffler.de/std/1F67>



# Drum pumps

- ① Pneumatic drum pump  
ARCA-PUMP-BARREL-180-S
- ② Metering pistol grease gun
- ③ High pressure hose
- ④ Manual drum pump  
ARCA-PUMP-BARREL-50-MANUAL
- ⑤ Refill nipple
- ⑥ Connecting piece
- ⑦ Dust cover
- ⑧ Follower piston

*Figure 1*  
Combination of drum pumps with  
grease containers and accessories  
(examples)



Manual and pneumatic drum pumps are suitable for delivering large quantities of grease under high pressure over long distances. However, they can also be used to fill the CONCEPT lubricators and associated cartridges.

When directly inserted in the original container, they facilitate economical use (less time required and optimal emptying). At the same time, they reduce the risk of lubricant contamination.

## Pneumatic drum pumps

The pneumatic drum pump ARCA-PUMP-BARREL...-S is suitable for use in hobbocks with a fill quantity of 25 kg or 50 kg as well as for drums with 180 kg.

In the workshop, it can be used for:

- the filling of rolling bearings
- the greasing of gearboxes
- all applications that must be filled repeatedly with different grease quantities.

The pneumatic drum pump can be fitted either with a simple hand valve or with a metering pistol grease gun, see page 126.



## Manual drum pumps

The manual drum pump ARCA-PUMP-BARREL-...-MANUAL is suitable for use in hobbocks with a fill quantity of 25 kg or 50 kg.

It is a cost-effective alternative to the pneumatic drum pump that can be used anywhere and is also used in particular for filling the lubricator CONCEPT1 and the cartridges from CONCEPT2, CONCEPT4 and CONCEPT8.

Refill nipples, see page 22, and a suitable connecting piece, see page 122, are available for connecting the lubricator CONCEPT1. Filling adapters, see page 65, are available for connecting the cartridges of CONCEPT2, CONCEPT4 and CONCEPT8.

## Drum pumps

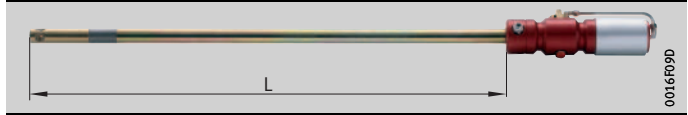
### Technical data

Feature		Drum pump	
		pneumatic	manual
Connectors	Compressed air inlet	G <sup>1/4</sup> (internal thread)	–
	Grease outlet	G <sup>1/4</sup> (external thread)	
Suction pipe	Diameter	30 mm	
	Length	480 mm, 750 mm, 950 mm	480 mm, 750 mm
Operating pressure (at 6 bar pneumatic supply pressure)		4,2 bar	–
Pneumatic supply pressure	min.	3,5 bar	–
	max.	8,5 bar	–
Pressure ratio		70:1	–
Delivery rate		1 100 cm <sup>3</sup> /min	42 g/Stroke length
Maximum air consumption		150 l/min	–
Maximum consistency class		NLGI 2	NLGI 3
Grease temperature (NLGI 2)	min.	+10 °C	
	max.	+40 °C	
Sound pressure level		76 dB	–
Mass		5,46 kg, 6,37 kg, 7,1 kg	3,5 kg, 4,5 kg



# Drum pumps

## Type overview Pneumatic drum pumps



Suitable container kg	Length L mm	Ordering number	Ordering designation
25	480	065139470-0000-10	ARCA-PUMP-BARREL-25-S
50	750	065139542-0000-10	ARCA-PUMP-BARREL-50-S
180	950	065139550-0000-10	ARCA-PUMP-BARREL-180-S

## Type overview Manual drum pumps

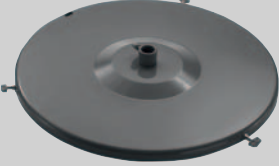
Manual drum pump including fill nozzle (90°)



Suitable container kg	Length L mm	Ordering number	Ordering designation
25	480	095214038-0000-10	ARCA-PUMP-BARREL-25-MANUAL
50	750	095214054-0000-10	ARCA-PUMP-BARREL-50-MANUAL

**Type overview**  
**Dust cover**

Dust cover made from steel, powder coated, suction pipe diameter = 30 mm

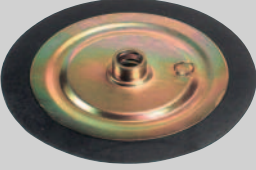


0018F471

Suitable container kg	Container outside diameter mm		Ordering number	Ordering designation
	min.	max.		
25	300	350	065348524-0000-10	ARCA-PUMP-BARREL-25-S.LID
50	370	420	065349849-0000-10	ARCA-PUMP-BARREL-50-S.LID
180	550	600	065350863-0000-10	ARCA-PUMP-BARREL-180-S.LID

**Type overview**  
**Follower pistons**

Follower pistons made from steel, zinc-coated, with rubber seal lip, suction pipe diameter = 30 mm



0018F481

Suitable container kg	Container outside diameter mm		Ordering number	Ordering designation
	min.	max.		
25	300	330	065349687-0000-10	ARCA-PUMP-BARREL-25-S.FP
50	360	400	065350685-0000-10	ARCA-PUMP-BARREL-50-S.FP
180	540	580	065351592-0000-10	ARCA-PUMP-BARREL-180-S.FP



# Drum pumps

## Type overview High pressure hoses

Nominal pressure = 400 bar, burst pressure = 1 600 bar,  
connectors G<sup>1</sup>/<sub>4</sub> (1×internal thread, 1×external thread)

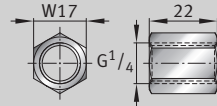
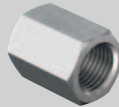


0018F159

Length L m	Ordering number	Ordering designation
2	065352270-0000-10	ARCA-PUMP-BARREL.HOSE-2M
3	065352432-0000-10	ARCA-PUMP-BARREL.HOSE-3M
5	065352866-0000-10	ARCA-PUMP-BARREL.HOSE-5M
10	065353153-0000-10	ARCA-PUMP-BARREL.HOSE-10M

## Type overview Connecting piece

Connecting piece,  
for connecting the refill nipple ARCALUB-C1.NIPPLE-REFILL-GREASE-R1/4 to  
the filling nozzle of the drum pump



0018D865

Thread	Ordering number	Ordering designation
G <sup>1</sup> / <sub>4</sub>	095291598-0000-10	ARCALUB-C1.CONNECT-G1/4

10 pieces per packaging unit.

**Type overview**  
**Arcanol hobbocks**  
**25 kg**



0018DD26

Type	Ordering number	Ordering designation
Hobbock (25 kg) containing		
Arcanol FOOD2	019143630-0000-10	ARCANOL-FOOD2-25KG#K
Arcanol LOAD220	019143761-0000-10	ARCANOL-LOAD220-25KG#K
Arcanol LOAD400	019143800-0000-11	ARCANOL-LOAD400-25KG#K
Arcanol LOAD460	065827066-0000-10	ARCANOL-LOAD460-25KG#S
Arcanol MOTION2	080267009-0000-10	ARCANOL-MOTION2-25KG#S
Arcanol MULTI2	019143885-0000-10	ARCANOL-MULTI2-25KG#K
Arcanol MULTITOP	019144008-0000-11	ARCANOL-MULTITOP-25KG#K
Arcanol TEMP120	019144105-0000-10	ARCANOL-TEMP120-25KG#K

**Type overview**  
**Arcanol hobbocks**  
**50 kg**



0018DD27

Type	Ordering number	Ordering designation
Hobbock (50 kg) containing		
Arcanol LOAD150	059810025-0000-10	ARCANOL-LOAD150-50KG
Arcanol LOAD400	019143826-0000-11	ARCANOL-LOAD400-50KG
Arcanol LOAD460	065827120-0000-10	ARCANOL-LOAD460-50KG
Arcanol MOTION2	080267157-0000-10	ARCANOL-MOTION2-50KG
Arcanol TEMP110	038705478-0000-10	ARCANOL-TEMP110-50KG

**Further information**

**Technical Product Information:**

- TPI 168 Arcanol Rolling Bearing Greases  
<https://www.schaeffler.de/std/1F66>

**Datasheet:**

- FAS Arcanol Rolling Bearing Greases  
<https://www.schaeffler.de/std/1F67>



# Drum pumps

## Ordering examples

When ordering, the components must be selected according to the application and the size of the grease container. The ordering designation and ordering number must always be stated.

### Example 1

Hobcock containing 25 kg, distance to lubrication point max. 5 m, hobcock must be moved to different locations, lubricant quantity must be metered.

- ① Drum pump
- ② Dust cover
- ③ Follower piston
- ④ High pressure hose
- ⑤ Metering pistol grease gun
- ⑥ Trolley

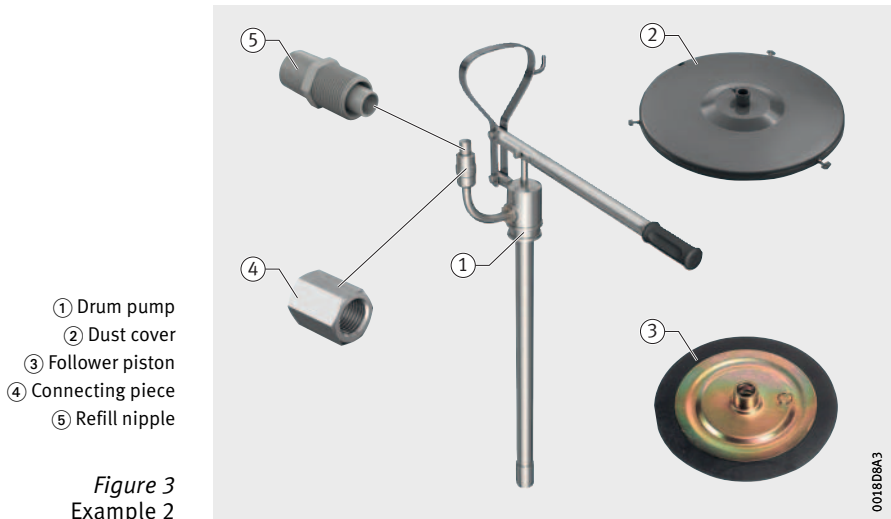


Figure 2  
Example 1

### Ordering

Item	Ordering		
	Quantity	Ordering number	Ordering designation
①	1	065139470-0000-10	ARCA-PUMP-BARREL-25-S
②	1	065348524-0000-10	ARCA-PUMP-BARREL-25-S.LID
③	1	065349687-0000-10	ARCA-PUMP-BARREL-25-S.FP
④	1	065352866-0000-10	ARCA-PUMP-BARREL.HOSE-5M
⑤	1	065353269-0000-10	ARCA-PUMP-BARREL.GUN-METER
⑥	1	077464036-0000-10	ARCA-PUMP-BARREL-25-S.TROLLEY

**Example 2** Hobcock containing 50 kg, manual filling of cartridges of lubricator CONCEPT1, hobcock is stationary in the room.



**Ordering**

Item	Ordering		
	Quantity	Ordering number	Ordering designation
①	1	095214054-0000-10	ARCA-PUMP-BARREL-50-MANUAL
②	1	065349849-0000-10	ARCA-PUMP-BARREL-50-S.LID
③	1	065350685-0000-10	ARCA-PUMP-BARREL-50-S.FP
④	1	095291598-0000-10	ARCALUB-C1.CONNECT-G1/4
⑤	1	095248161-0000-10	ARCALUB-C1.NIPPLE-REFILL-GREASE-R1/4



# Grease pistols

## Type overview Metering pistol grease gun with digital flow rate measurement

Z type swivel joint G<sup>1</sup>/<sub>4</sub>, nozzle tube of length = 150 mm, 4 jaw nozzle, threaded connector M10×1 (for hose or nozzle tube)



000AE439

Type	Ordering number	Ordering designation
Metering pistol grease gun	065353269-0000-10	ARCA-PUMP-BARREL.GUN-METER

## Technical data Metering pistol grease gun

Feature	Value
Operating pressure	≤ 550 bar
Delivery rate	≤ 2,5 kg/min
Counting accuracy	±3%

The metering pistol grease gun with digital flow rate measurement allows precise grease feed into bearing positions and gearboxes. The counter displays the grease quantity with an accuracy of 0,1 g and up to a maximum of 999 g per measurement operation.

The grease quantity is measured by volume. Before starting volume application, metering pistol grease guns must be set once with the aid of a precision balance.

## Type overview Grease pistols without flow rate measurement

Axial swivel joint G<sup>1</sup>/<sub>4</sub>, 4 jaw nozzle, threaded connector M10×1 (for hose or nozzle tube)

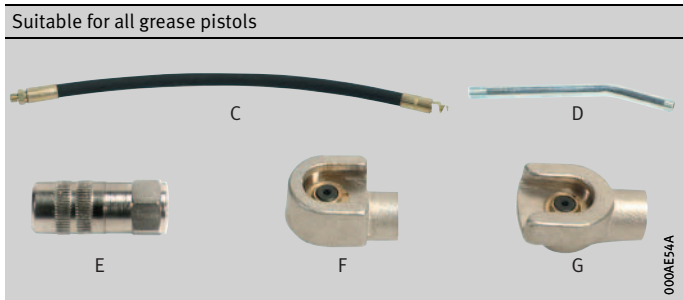


000AE549

Type	Hose length mm	Ordering number	Ordering designation
A	400	065353617-0000-10	ARCA-PUMP-BARREL.GUN-H
B	150	065353323-0000-10	ARCA-PUMP-BARREL.GUN-P



**Type overview**  
**Accessories for grease pistols**



Type	Ordering number	Ordering designation	
C	Hose	077464478-0000-10	ARCA-PUMP-BARREL-S.GUN-HOSE
D	Nozzle tube	077464648-0000-10	ARCA-PUMP-BARREL-S.GUN-PIPE
E	4 jaw nozzle	077465130-0000-10	ARCA-PUMP-BARREL-S.FIT-4-JAWS
F	Slide coupling	077590465-0000-10	ARCA-PUMP-BARREL-S.FIT-HEX16
G	Slide coupling	077590600-0000-10	ARCA-PUMP-BARREL-S.FIT-HEX16P

**Technical data**  
**Accessories for grease pistols**  
**Type C, D, E**

Feature	Type		
	C	D	E
	Hose	Nozzle tube	4 jaw nozzle
Thread	Both sides M10×1, external thread	Both sides M10×1, external thread	M10×1, Internal thread
Length	400 mm	150 mm	–
Suitable lubrication nipple	–	–	Taper type lubrication nipple

**Technical data**  
**Accessories for grease pistols**  
**Type F, G**

Feature	Type	
	F	G
	Slide coupling	Slide coupling
Design	For pulling	For insertion
Thread	M10×1, Internal thread	M10×1, Internal thread
Suitable lubrication nipple	Button head lubrication nipple, head diameter = 16 mm	Button head lubrication nipple, head diameter = 16 mm



# Transport aids

## Type overview Transport aids



Type	Ordering number	Ordering designation
A	065353803-0000-10	ARCA-PUMP-BARREL-S.HANDLE
B	077464036-0000-10	ARCA-PUMP-BARREL-25-S.TROLLEY
C	074444239-0000-10	ARCA-PUMP-BARREL-50-S.TROLLEY

## Technical data Transport aids

Feature	Type		
	A	B	C
Transport of	Drum pumps	Containers <sup>1)</sup>	Drums <sup>2)</sup>
Material	Steel, zinc-coated	Steel, powder coated	Steel, powder coated
Dimensions mm	430×190×65	480×500-680×980	545×640×910
Mass kg	0,6	5,9	13,7
Rollers	–	2 pieces, Ø = 150 mm	2 pieces, Ø = 150 mm
Swivel castors	–	–	2 pieces, Ø = 60 mm

1) Suitable for containers with a mass of 20 kg to 60 kg.

2) Suitable for drums with a diameter up to 410 mm and a mass of 50 kg to 60 kg.



# Article list

<b>Electrochemical lubricators</b>		
Ordering designation	Ordering number	Page
<b>With drive unit, prefilled for grease lubrication</b>		
ARCALUB-C1-60-FOOD2	095249290-0000-10	18
ARCALUB-C1-60-LOAD220	095249273-0000-10	18
ARCALUB-C1-60-LOAD400	095249249-0000-10	18
ARCALUB-C1-60-MULTI2	095249230-0000-10	18
ARCALUB-C1-60-MULTITOP	095249222-0000-10	18
ARCALUB-C1-60-TEMP110	095249214-0000-10	18
ARCALUB-C1-125-FOOD2	095248897-0000-10	18
ARCALUB-C1-125-LOAD150	095731784-0000-10	18
ARCALUB-C1-125-LOAD220	095248870-0000-10	18
ARCALUB-C1-125-LOAD400	095248854-0000-10	18
ARCALUB-C1-125-LOAD460	095248838-0000-10	18
ARCALUB-C1-125-MULTI2	095248820-0000-10	18
ARCALUB-C1-125-MULTITOP	095248811-0000-10	18
ARCALUB-C1-125-TEMP110	095248200-0000-10	18
<b>With drive unit, prefilled for oil lubrication</b>		
ARCALUB-C1-125-CHAIN-OIL	095248900-0000-10	18
ARCALUB-C1-125-FOOD-OIL	095248889-0000-10	18
<b>With drive unit, unfilled</b>		
ARCALUB-C1-60-REFILLABLE	095166050-0000-10	20
ARCALUB-C1-125-REFILLABLE	095166076-0000-10	20
<b>Refilling kits</b>		
ARCALUB-C1.DRYCELL-KIT-60	095287523-0000-10	21
ARCALUB-C1.DRYCELL-KIT-125	095287540-0000-10	21
<b>Filling accessories</b>		
ARCALUB-C1.NIPPLE-REFILL-G1/4	095248170-0000-10	22
ARCALUB-C1.NIPPLE-REFILL-GREASE-R1/4	095248161-0000-10	22
ARCALUB-C1.NIPPLE-REFILL-GREASE-R3/8	095248137-0000-10	22
ARCALUB-C1.PLUG-OIL-VALVE	095286780-0000-10	22
<b>Reducing nipples</b>		
ARCALUB-C1.NIPPLE-G1/8-G1/4	095285792-0000-10	27
ARCALUB-C1.NIPPLE-G1/4-G1/4	095285784-0000-10	27
ARCALUB-C1.NIPPLE-G3/8-G1/4	095285806-0000-10	27
ARCALUB-C1.NIPPLE-M6-G1/4	095286071-0000-10	27
ARCALUB-C1.NIPPLE-M8-G1/4	095286080-0000-10	27
ARCALUB-C1.NIPPLE-M8X1-G1/4	095301585-0000-10	27
ARCALUB-C1.NIPPLE-M10-G1/4	095286101-0000-10	27
ARCALUB-C1.NIPPLE-M10X1-G1/4	095286721-0000-10	27
ARCALUB-C1.NIPPLE-M12-G1/4	095286730-0000-10	27
ARCALUB-C1.NIPPLE-M12X1,5-G1/4	095286748-0000-10	27
ARCALUB-C1.NIPPLE-UNF1/4-G1/4	095286756-0000-10	27

<b>Electrochemical lubricators</b>		
Ordering designation	Ordering number	Page
<b>Extensions</b>		
ARCALUB-C1.EXTEND-35MM-G1/4	095285725-0000-10	27
ARCALUB-C1.EXTEND-50MM-G1/4	095285733-0000-10	27
<b>Connecting pieces</b>		
ARCALUB-C1.CONNECT-45-G1/4-IA	095285393-0000-10	28
ARCALUB-C1.CONNECT-90-G1/4-IA	095285407-0000-10	28
<b>Hose</b>		
ARCALUB-C1.HOSE-8X6-PA12-5M	095285750-0000-10	28
<b>Check valve</b>		
ARCALUB-C1.CONNECT-OIL-VALVE-G1/4	095287515-0000-10	29
<b>Hose connector part</b>		
ARCALUB-C1.TUBEFIT-G1/4I-SAT148G	095287051-0000-10	29
<b>Device holders</b>		
ARCALUB-C1.CLAMP	095285377-0000-10	31
ARCALUB-C1.CLAMP-MAGNET	095285385-0000-10	31
ARCALUB-C1.MOUNT-SUPPORT-R1/4	095285768-0000-10	31
ARCALUB-C1.FIXING-ANGLE	095285741-0000-10	31
<b>Protective accessories</b>		
ARCALUB-C1.COVER	095285717-0000-10	32
<b>2-way adapter</b>		
ARCALUB-C1.ADAPTER-TWIN	095285326-0000-10	32
<b>Brushes</b>		
ARCALUB-C1.BRUSH-25MM-G1/4-G	095285334-0000-10	33
ARCALUB-C1.BRUSH-40MM-G1/4-G	095285342-0000-10	33
ARCALUB-C1.BRUSH-70MM-G1/4-G	095285350-0000-10	33
ARCALUB-C1.BRUSH-100MM-G1/4-G	095285369-0000-10	33
<b>Spare parts</b>		
ARCALUB-C1.SEAL	095286802-0000-10	34
ARCALUB-C1.SEAL-CAP	095287043-0000-10	34
<b>Demo case</b>		
DEMO-ARCALUB-C1-SET	095287558-0000-10	36
<b>Starter kit</b>		
ARCALUB-C1-KIT001	095463860-0000-10	38



# Article list

<b>Electromechanical lubricators</b>		
Ordering designation	Ordering number	Page
<b>CONCEPT2</b>		
ARCALUB-C2-2P	086872931-0000-10	44
ARCALUB-C2-2P-24VDC	086873105-0000-10	44
ARCALUB-C2-2P-OIL-24VDC	092246265-0000-10	44
<b>CONCEPT4</b>		
ARCALUB-C4-2P-24VDC	094901589-0000-10	50
<b>CONCEPT8</b>		
ARCALUB-C8-2P	082249156-0000-10	54
ARCALUB-C8-4P	082266646-0000-10	54
ARCALUB-C8-2P-OIL	083786910-0000-10	54
ARCALUB-C8-4P-OIL	083787062-0000-10	54
<b>Cartridges, filled with Arcanol grease</b>		
ARCALUB-C2.LC250-CLEAN-M	087334194-0000-10	58
ARCALUB-C2.LC250-FOOD2	087334020-0000-10	58
ARCALUB-C2.LC250-LOAD150	087329077-0000-10	58
ARCALUB-C2.LC250-LOAD220	087329115-0000-10	58
ARCALUB-C2.LC250-LOAD400	087329131-0000-10	58
ARCALUB-C2.LC250-LOAD460	087329140-0000-10	58
ARCALUB-C2.LC250-LOAD1000	087329280-0000-10	58
ARCALUB-C2.LC250-MULTI2	087328038-0000-10	58
ARCALUB-C2.LC250-MULTITOP	087328810-0000-10	58
ARCALUB-C2.LC250-MOTION2	087334216-0000-10	58
ARCALUB-C2.LC250-SEMIFLUID	095195831-0000-10	58
ARCALUB-C2.LC250-SPEED2,6	087334046-0000-10	58
ARCALUB-C2.LC250-TEMP90	087329816-0000-10	58
ARCALUB-C2.LC250-TEMP110	087329840-0000-10	58
ARCALUB-C2.LC250-TEMP120	087329980-0000-10	58
ARCALUB-C2.LC250-TEMP200	087329999-0000-10	58
ARCALUB-C4.LC400-CLEAN-M	095058125-0000-10	59
ARCALUB-C4.LC400-EM-L038	095058141-0000-10	59
ARCALUB-C4.LC400-FOOD2	095058117-0000-10	59
ARCALUB-C4.LC400-LOAD150	095056785-0000-10	59
ARCALUB-C4.LC400-LOAD220	095056793-0000-10	59
ARCALUB-C4.LC400-LOAD400	095056807-0000-10	59
ARCALUB-C4.LC400-LOAD460	095058010-0000-10	59
ARCALUB-C4.LC400-LOAD1000	095058028-0000-10	59
ARCALUB-C4.LC400-MULTI2	095056769-0000-10	59
ARCALUB-C4.LC400-MULTI3	095056750-0000-10	59
ARCALUB-C4.LC400-MULTITOP	095056777-0000-10	59
ARCALUB-C4.LC400-MOTION2	095058133-0000-10	59
ARCALUB-C4.LC400-SEMIFLUID	095195823-0000-10	59
ARCALUB-C4.LC400-SPEED2,6	095058087-0000-10	59
ARCALUB-C4.LC400-TEMP90	095058044-0000-10	59
ARCALUB-C4.LC400-TEMP110	095058052-0000-10	59
ARCALUB-C4.LC400-TEMP120	095058060-0000-10	59
ARCALUB-C4.LC400-TEMP200	095058079-0000-10	59
ARCALUB-C4.LC400-VIB3	095058095-0000-10	59

<b>Electromechanical lubricators</b>		
Ordering designation	Ordering number	Page
<b>Cartridges, filled with Arcanol grease</b>		
ARCALUB-C8.LC800-CLEAN-M	083549129-0000-10	60
ARCALUB-C8.LC800-FOOD2	083549064-0000-10	60
ARCALUB-C8.LC800-LOAD150	083532439-0000-10	60
ARCALUB-C8.LC800-LOAD220	083533583-0000-10	60
ARCALUB-C8.LC800-LOAD400	083533761-0000-10	60
ARCALUB-C8.LC800-LOAD460	083533818-0000-10	60
ARCALUB-C8.LC800-LOAD1000	083548343-0000-10	60
ARCALUB-C8.LC800-MULTI2	083532412-0000-10	60
ARCALUB-C8.LC800-MULTI3	083548289-0000-10	60
ARCALUB-C8.LC800-MULTITOP	082631492-0000-10	60
ARCALUB-C8.LC800-SEMIFLUID	095195815-0000-10	60
ARCALUB-C8.LC800-SPEED2,6	083548629-0000-10	60
ARCALUB-C8.LC800-TEMP90	083533630-0000-10	60
ARCALUB-C8.LC800-TEMP110	083548580-0000-10	60
ARCALUB-C8.LC800-TEMP120	083548599-0000-10	60
ARCALUB-C8.LC800-TEMP200	083548602-0000-10	60
ARCALUB-C8.LC800-VIB3	083549099-0000-10	60
<b>Refillable grease cartridges</b>		
ARCALUB-C2.LC250-REFILLABLE	095028803-0000-10	64
ARCALUB-C4.LC400-REFILLABLE	095058036-0000-10	64
ARCALUB-C8.LC800-REFILLABLE	095028790-0000-10	64
<b>Closing plugs</b>		
ARCALUB-C2.LC250-SEAL-CAP	095179879-0000-10	64
ARCALUB-C4.LC400-SEAL-CAP	095179887-0000-10	64
ARCALUB-C8.LC800-SEAL-CAP	095179895-0000-10	64
<b>Filling adapters</b>		
ARCALUB-C2.LC250-RF-ADAPTER	095179909-0000-10	65
ARCALUB-C4.LC400-RF-ADAPTER	095180818-0000-10	65
ARCALUB-C8.LC800-RF-ADAPTER	095180826-0000-10	65
<b>Voltage supply</b>		
ARCALUB-C2.BATTERY	087314762-0000-10	68
ARCALUB-X.CABLE-M12-10M	075378361-0000-10	68
ARCALUB-X.CABLE-M12X1-5M-LED-S	083788964-0000-10	68
ARCALUB-X.CABLE-M12X1-10M-LED-S	083788980-0000-10	68
ARCALUB-X.CABLE-M12-5M-LED	075592240-0000-10	68
ARCALUB-X.CABLE-M12-10M-LED	077879805-0000-10	68
<b>Device holders</b>		
ARCALUB-C2.HOLDER-KIT	092435726-0000-10	70
ARCALUB-C8.HOLDER-KIT	093204094-0000-10	70
<b>Splitters, progressive distributors</b>		
ARCALUB-X.SPLITTER-2X-STRAIGHT-GREASE	081307497-0000-10	72
ARCALUB-X.SPLITTER-2X-STRAIGHT-OIL	074969218-0000-10	72
ARCALUB-X.PROGDIV-3X-RIGHT-0.05CCM	093204060-0000-10	74



# Article list

<b>Electromechanical lubricators</b>		
Ordering designation	Ordering number	Page
<b>Hose connectors</b>		
ARCALUB-X.CONNECT-4-4	095770887-0000-10	76
ARCALUB-X.CONNECT-6-4	093040717-0000-10	76
ARCALUB-X.CONNECT-6-6	083867112-0000-10	76
ARCALUB-X.CONNECT-8-6	083867279-0000-10	76
ARCALUB-X.CONNECT-8-8	083867309-0000-10	76
ARCALUB-X.CONNECT-4-4-W	095770895-0000-10	76
ARCALUB-X.CONNECT-6-6-W	088902250-0000-10	76
ARCALUB-X.TUBEFIT-CONNECT-8-8-W	094927723-0000-10	76
<b>Y pieces</b>		
ARCALUB-X.TUBEFIT-Y-D6	076693180-0000-10	77
ARCALUB-X.TUBEFIT-Y-D8	083654640-0000-10	77
<b>Check valve</b>		
ARCALUB-X.OIL-VALVE-SAT106G	092927122-0000-10	77
<b>Connection adapters</b>		
ARCALUB-X.TUBEFIT-SAT8A6I	094487979-0000-10	78
ARCALUB-X.TUBEFIT-SAT-8A-4I	095777970-0000-10	78
ARCALUB-X.TUBEFIT-SAT-6A-4I	095777962-0000-10	78
ARCALUB-X.TUBEFIT-SAT-6A-6I-W	095058150-0000-10	78
ARCALUB-X.TUBEFIT-SAT-8A-8I-W	095058168-0000-10	78
<b>Hose connector parts</b>		
ARCALUB-X.TUBEFIT-M3-SAT034G-S	093041390-0000-10	80
ARCALUB-X.TUBEFIT-M6-SAT064G	095777636-0000-10	80
ARCALUB-X.TUBEFIT-M10X1-SAT104G	095777911-0000-10	80
ARCALUB-X.TUBEFIT-M5-SAT056G	077937490-0000-10	80
ARCALUB-X.TUBEFIT-M6-SAT066G	075527472-0000-10	80
ARCALUB-X.TUBEFIT-M8X1-SAT086G	079567428-0000-10	80
ARCALUB-X.TUBEFIT-M10X1-SAT106G	075527626-0000-10	80
ARCALUB-X.TUBEFIT-G1/8-SAT186G	084465905-0000-10	80
ARCALUB-X.TUBEFIT-G1/4-SAT146G	079567606-0000-10	80
ARCALUB-X.TUBEFIT-M8X1-SAT088G	083654216-0000-10	80
ARCALUB-X.TUBEFIT-M10X1-SAT108G	083654356-0000-10	80
ARCALUB-X.TUBEFIT-G1/8-SAT188G	083654534-0000-10	80
ARCALUB-X.TUBEFIT-G1/4-SAT148G	083654607-0000-10	80
ARCALUB-X.TUBEFIT-M6-SAT064W	095777644-0000-10	82
ARCALUB-X.TUBEFIT-M10X1-SAT104W	095777954-0000-10	82
ARCALUB-X.TUBEFIT-M5-SAT056W	079567401-0000-10	82
ARCALUB-X.TUBEFIT-M6-SAT066W	075676621-0000-10	82
ARCALUB-X.TUBEFIT-M8X1-SAT086W	079567584-0000-10	82
ARCALUB-X.TUBEFIT-M10X1-SAT106W	076968553-0000-10	82
ARCALUB-X.TUBEFIT-G1/8-SAT186W	084465964-0000-10	82
ARCALUB-X.TUBEFIT-G1/4-SAT146W	079567622-0000-10	82
ARCALUB-X.TUBEFIT-M8X1-SAT088W	083654275-0000-10	82
ARCALUB-X.TUBEFIT-M10X1-SAT108W	083654402-0000-10	82
ARCALUB-X.TUBEFIT-G1/8-SAT188W	083654577-0000-10	82
ARCALUB-X.TUBEFIT-G1/4-SAT148W	083654623-0000-10	82



<b>Electromechanical lubricators</b>		
Ordering designation	Ordering number	Page
<b>Hoses, hose cutters</b>		
ARCALUB-X.HOSE-4X2,5-PA12-5M	093041241-0000-10	84
ARCALUB-X.HOSE-4X2,5-PA12-10M	093041195-0000-10	84
ARCALUB-X.HOSE-4X2,5-PA12-50M	095775854-0000-10	84
ARCALUB-X.HOSE-PA12-5M	076691217-0000-10	84
ARCALUB-X.HOSE-PA12-10M	076691497-0000-10	84
ARCALUB-X.HOSE-PA12-50M	085842109-0000-10	84
ARCALUB-X.HOSE-PA66-5M	083788573-0000-10	84
ARCALUB-X.HOSE-PA66-10M	083788581-0000-10	84
ARCALUB-X.HOSE-PA66-50M	083788603-0000-10	84
ARCALUB-X.HOSE-PA12-CLEAR-5M	075526336-0000-10	85
ARCALUB-X.HOSE-PA12-CLEAR-10M	083788441-0000-10	85
ARCALUB-X.HOSE-PA12-CLEAR-25M	075527251-0000-10	85
ARCALUB-X.HOSE-PA12-CLEAR-1000M	092515851-0000-10	85
ARCALUB-X.HOSE-CUTTOOL	083788620-0000-10	85
<b>Demo cases</b>		
DEMO-ARCALUB-C2-SET	089395433-0000-10	87
DEMO-ARCALUB-C8-SET	084224878-0000-10	87
<b>Complete packages</b>		
ARCALUB-C2-2P-EKIT	092662269-0000-10	88
ARCALUB-C2-2P-24VDC-EKIT	092662277-0000-10	88
<b>Seal kit for CONCEPT8</b>		
ARCALUB-C8.SEAL-KIT	094977291-0000-10	89
<b>Cover kits</b>		
ARCALUB-C2.COVER-KIT	092860915-0000-10	90
ARCALUB-C4.COVER-KIT	095111930-0000-10	90
ARCALUB-C8.COVER-KIT	095111948-0000-10	90



## Article list

<b>Accessories for lubricant application</b>		
Ordering designation	Ordering number	Page
Lubrication gears		
ARCALUB-X.PINION-MD1,5-Z24-B15-G-G	093283016-0000-10	96
ARCALUB-X.PINION-MD2,0-Z17-B20-G-G	093283032-0000-10	96
ARCALUB-X.PINION-MD3,0-Z17-B30-G-G	093283059-0000-10	96
ARCALUB-X.PINION-MD4,0-Z17-B40-G-G	093283075-0000-10	96
ARCALUB-X.PINION-MD5,0-Z17-B50-G-G	093283091-0000-10	96
ARCALUB-X.PINION-MD6,0-Z17-B60-G-G	093283113-0000-10	96
ARCALUB-X.PINION-MD8,0-Z17-B80-G-G	093283130-0000-10	96
ARCALUB-X.PINION-MD10,0-Z17-B100-G-G	093283156-0000-10	96
ARCALUB-X.PINION-MD1,5-Z24-B15-G-W	093283024-0000-10	96
ARCALUB-X.PINION-MD2,0-Z17-B20-G-W	093283040-0000-10	96
ARCALUB-X.PINION-MD3,0-Z17-B30-G-W	093283067-0000-10	96
ARCALUB-X.PINION-MD4,0-Z17-B40-G-W	093283083-0000-10	96
ARCALUB-X.PINION-MD5,0-Z17-B50-G-W	093283105-0000-10	96
ARCALUB-X.PINION-MD6,0-Z17-B60-G-W	093283121-0000-10	96
ARCALUB-X.PINION-MD8,0-Z17-B80-G-W	093283148-0000-10	96
ARCALUB-X.PINION-MD10,0-Z17-B100-G-W	093283164-0000-10	96
ARCALUB-X.PINION-MD1,5-Z24-B15-SR-G	093283172-0000-10	98
ARCALUB-X.PINION-MD2,0-Z17-B20-SR-G	093283199-0000-10	98
ARCALUB-X.PINION-MD3,0-Z17-B30-SR-G	093283210-0000-10	98
ARCALUB-X.PINION-MD4,0-Z17-B40-SR-G	093283237-0000-10	98
ARCALUB-X.PINION-MD5,0-Z17-B50-SR-G	093283253-0000-10	98
ARCALUB-X.PINION-MD6,0-Z17-B60-SR-G	093283270-0000-10	98
ARCALUB-X.PINION-MD8,0-Z17-B80-SR-G	093283296-0000-10	98
ARCALUB-X.PINION-MD10,0-Z17-B100-SR-G	093283318-0000-10	98
ARCALUB-X.PINION-MD1,5-Z24-B15-SR-W	093283180-0000-10	98
ARCALUB-X.PINION-MD2,0-Z17-B20-SR-W	093283202-0000-10	98
ARCALUB-X.PINION-MD3,0-Z17-B30-SR-W	093283229-0000-10	98
ARCALUB-X.PINION-MD4,0-Z17-B40-SR-W	093283245-0000-10	98
ARCALUB-X.PINION-MD5,0-Z17-B50-SR-W	093283261-0000-10	98
ARCALUB-X.PINION-MD6,0-Z17-B60-SR-W	093283288-0000-10	98
ARCALUB-X.PINION-MD8,0-Z17-B80-SR-W	093283300-0000-10	98
ARCALUB-X.PINION-MD10,0-Z17-B100-SR-W	093283326-0000-10	98

<b>Accessories for lubricant application</b>		
Ordering designation	Ordering number	Page
<b>Lubrication gears</b>		
ARCALUB-X.PINION-MD1,5-Z24-B15-SL-G	093283334-0000-10	100
ARCALUB-X.PINION-MD2,0-Z17-B20-SL-G	093283350-0000-10	100
ARCALUB-X.PINION-MD3,0-Z17-B30-SL-G	093283377-0000-10	100
ARCALUB-X.PINION-MD4,0-Z17-B40-SL-G	093283393-0000-10	100
ARCALUB-X.PINION-MD5,0-Z17-B50-SL-G	093283415-0000-10	100
ARCALUB-X.PINION-MD6,0-Z17-B60-SL-G	093283431-0000-10	100
ARCALUB-X.PINION-MD8,0-Z17-B80-SL-G	093283458-0000-10	100
ARCALUB-X.PINION-MD10,0-Z17-B100-SL-G	093283474-0000-10	100
ARCALUB-X.PINION-MD1,5-Z24-B15-SL-W	093283342-0000-10	100
ARCALUB-X.PINION-MD2,0-Z17-B20-SL-W	093283369-0000-10	100
ARCALUB-X.PINION-MD3,0-Z17-B30-SL-W	093283385-0000-10	100
ARCALUB-X.PINION-MD4,0-Z17-B40-SL-W	093283407-0000-10	100
ARCALUB-X.PINION-MD5,0-Z17-B50-SL-W	093283423-0000-10	100
ARCALUB-X.PINION-MD6,0-Z17-B60-SL-W	093283440-0000-10	100
ARCALUB-X.PINION-MD8,0-Z17-B80-SL-W	093283466-0000-10	100
ARCALUB-X.PINION-MD10,0-Z17-B100-SL-W	093283482-0000-10	100
<b>Chain lubrication pinions</b>		
ARCALUB-X.CHAIN-PINION-08AB1-Z12-G	093283490-0000-10	104
ARCALUB-X.CHAIN-PINION-10AB1-Z10-G	093283547-0000-10	104
ARCALUB-X.CHAIN-PINION-12B1-Z8-G	093283601-0000-10	104
ARCALUB-X.CHAIN-PINION-16B1-Z8-G	093283652-0000-10	104
ARCALUB-X.CHAIN-PINION-08AB1-Z12-W	093283504-0000-10	104
ARCALUB-X.CHAIN-PINION-10AB1-Z10-W	093283555-0000-10	104
ARCALUB-X.CHAIN-PINION-12B1-Z8-W	093283610-0000-10	104
ARCALUB-X.CHAIN-PINION-16B1-Z8-W	093283660-0000-10	104
ARCALUB-X.CHAIN-PINION-08AB1-Z12-WF	093283512-0000-10	104
ARCALUB-X.CHAIN-PINION-10AB1-Z10-WF	093283563-0000-10	104
ARCALUB-X.CHAIN-PINION-16B1-Z8-WF	093283679-0000-10	104
ARCALUB-X.CHAIN-PINION-08AB2-Z12-G	093283520-0000-10	106
ARCALUB-X.CHAIN-PINION-10AB2-Z10-G	093283571-0000-10	106
ARCALUB-X.CHAIN-PINION-12B2-Z8-G	093283628-0000-10	106
ARCALUB-X.CHAIN-PINION-16B2-Z8-G	093283687-0000-10	106
ARCALUB-X.CHAIN-PINION-08AB2-Z12-W	093283539-0000-10	106
ARCALUB-X.CHAIN-PINION-10AB2-Z10-W	093283580-0000-10	106
ARCALUB-X.CHAIN-PINION-12B2-Z8-W	093283636-0000-10	106
ARCALUB-X.CHAIN-PINION-16B2-Z8-W	093283695-0000-10	106
ARCALUB-X.CHAIN-PINION-10AB2-Z10-WF	093283598-0000-10	106
ARCALUB-X.CHAIN-PINION-12B2-Z8-WF	093283644-0000-10	106
ARCALUB-X.CHAIN-PINION-16B2-Z8-WF	093283709-0000-10	106
<b>Lubrication rollers</b>		
ARCALUB-X.ROLE-D30-B45-WF	093283717-0000-10	109
ARCALUB-X.ROLE-D40-B30-WF	093283725-0000-10	109
ARCALUB-X.ROLE-D50-B40-WF	093283733-0000-10	109
ARCALUB-X.ROLE-D50-B60-WF	093283741-0000-10	109
ARCALUB-X.ROLE-D60-B45-WF	093283750-0000-10	109



## Article list

<b>Manual lubrication tools</b>		
Ordering designation	Ordering number	Page
<b>Lever grease gun and accessories</b>		
ARCA-GREASE-GUN	039064115-0000-10	115
ARCA-GREASE-GUN.HOSE	039064123-0000-10	115
ARCA-GREASE-GUN.HOOK-ON-HOSE	039697010-0000-10	115
<b>Arcanol grease cartridges</b>		
ARCANOL-CLEAN-M-400G	069429111-0000-10	116
ARCANOL-FOOD2-400G	019143648-0000-10	116
ARCANOL-LOAD150-400G	055358152-0000-10	116
ARCANOL-LOAD220-400G	064741028-0000-10	116
ARCANOL-LOAD400-400G	019143818-0000-11	116
ARCANOL-LOAD460-400G	065825144-0000-10	116
ARCANOL-MULTI2-400G	019143893-0000-11	116
ARCANOL-MULTI3-400G	016727355-0000-11	116
ARCANOL-MULTITOP-400G	019144016-0000-11	116
ARCANOL-SPEED2,6-400G	062447610-0000-10	116
ARCANOL-TEMP90-400G	019144172-0000-10	116
ARCANOL-TEMP110-400G	019144075-0000-10	116
ARCANOL-VIB3-400G	055289568-0000-10	116
<b>Drum pumps and accessories</b>		
ARCA-PUMP-BARREL-25-S	065139470-0000-10	120
ARCA-PUMP-BARREL-50-S	065139542-0000-10	120
ARCA-PUMP-BARREL-180-S	065139550-0000-10	120
ARCA-PUMP-BARREL-25-MANUAL	095214038-0000-10	120
ARCA-PUMP-BARREL-50-MANUAL	095214054-0000-10	120
ARCA-PUMP-BARREL-25-S.LID	065348524-0000-10	121
ARCA-PUMP-BARREL-50-S.LID	065349849-0000-10	121
ARCA-PUMP-BARREL-180-S.LID	065350863-0000-10	121
ARCA-PUMP-BARREL-25-S.FP	065349687-0000-10	121
ARCA-PUMP-BARREL-50-S.FP	065350685-0000-10	121
ARCA-PUMP-BARREL-180-S.FP	065351592-0000-10	121
ARCA-PUMP-BARREL.HOSE-2M	065352270-0000-10	122
ARCA-PUMP-BARREL.HOSE-3M	065352432-0000-10	122
ARCA-PUMP-BARREL.HOSE-5M	065352866-0000-10	122
ARCA-PUMP-BARREL.HOSE-10M	065353153-0000-10	122
ARCALUB-C1.CONNECT-G1/4	095291598-0000-10	122

<b>Manual lubrication tools</b>		
Ordering designation	Ordering number	Page
<b>Arcanol hobbocks</b>		
ARCANOL-FOOD2-25KG#K	019143630-0000-10	123
ARCANOL-LOAD220-25KG#K	019143761-0000-10	123
ARCANOL-LOAD400-25KG#K	019143800-0000-11	123
ARCANOL-LOAD460-25KG#S	065827066-0000-10	123
ARCANOL-MOTION2-25KG#S	080267009-0000-10	123
ARCANOL-MULTI2-25KG#K	019143885-0000-10	123
ARCANOL-MULTITOP-25KG#K	019144008-0000-11	123
ARCANOL-TEMP120-25KG#K	019144105-0000-10	123
ARCANOL-LOAD150-50KG	059810025-0000-10	123
ARCANOL-LOAD400-50KG	019143826-0000-11	123
ARCANOL-LOAD460-50KG	065827120-0000-10	123
ARCANOL-MOTION2-50KG	080267157-0000-10	123
ARCANOL-TEMP110-50KG	038705478-0000-10	123
<b>Grease pistols and accessories</b>		
ARCA-PUMP-BARREL.GUN-METER	065353269-0000-10	126
ARCA-PUMP-BARREL.GUN-H	065353617-0000-10	126
ARCA-PUMP-BARREL.GUN-P	065353323-0000-10	126
ARCA-PUMP-BARREL-S.GUN-HOSE	077464478-0000-10	127
ARCA-PUMP-BARREL-S.GUN-PIPE	077464648-0000-10	127
ARCA-PUMP-BARREL-S.FIT-4-JAWS	077465130-0000-10	127
ARCA-PUMP-BARREL-S.FIT-HEX16	0775904650000-10	127
ARCA-PUMP-BARREL-S.FIT-HEX16P	077590600-0000-10	127
<b>Transport aids</b>		
ARCA-PUMP-BARREL-S.HANDLE	065353803-0000-10	128
ARCA-PUMP-BARREL-25-S.TROLLEY	077464036-0000-10	128
ARCA-PUMP-BARREL-50-S.TROLLEY	074444239-0000-10	128



# Customer-specific lubrication gears and chain lubrication pinions

## Data required for design

Gear, toothed rack

Modulus M \_\_\_\_\_

Number of teeth (gear only) \_\_\_\_\_

Tooth set width \_\_\_\_\_ mm

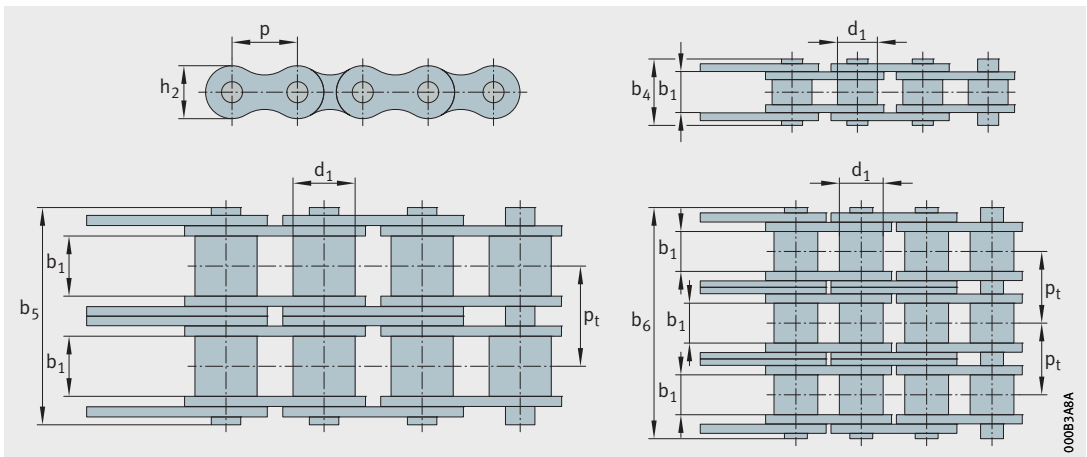
Tooth set angle \_\_\_\_\_ °

left hand = “-”, straight teeth = “ ”, right hand = “+”

## Chain

Type \_\_\_\_\_

- simplex     duplex     triplex



In the case of chains that do not correspond to ISO 606 (DIN 8188, DIN 8187), the additional following data are required:

Roller width  $b_1$  \_\_\_\_\_ mm

Pin length  $b_4, b_5, b_6$  \_\_\_\_\_ mm

Roller diameter  $d_1$  \_\_\_\_\_ mm

Link height  $h_2$  \_\_\_\_\_ mm

Pitch  $p$  \_\_\_\_\_ mm

Transverse pitch  $p_t$  \_\_\_\_\_ mm

# Customer-specific lubrication gears and chain lubrication pinions

Lubricant

Type \_\_\_\_\_

Grease       Oil

The following documents relating to the lubricant have been added to this checklist (necessary for enquiry):

Technical datasheet       Safety datasheet

Available design envelope (L×W×H)

\_\_\_\_\_ × \_\_\_\_\_ × \_\_\_\_\_ mm

Speed

Circumferential speed (gear) \_\_\_\_\_ m/s

Linear speed (toothed rack, chain) \_\_\_\_\_ m/s

Operating temperature

from \_\_\_\_\_ to \_\_\_\_\_ °C

Ambient conditions

Contamination       Water       Food industry       Outdoor use

Relubrication

Lubrication device (designation) \_\_\_\_\_

Lubrication demand \_\_\_\_\_ g

every \_\_\_\_\_ hours

Other information

---

---

---

---



**Schaeffler Technologies  
AG & Co. KG**

Georg-Schäfer-Straße 30  
97421 Schweinfurt

Germany

[www.schaeffler.de/lubrication](http://www.schaeffler.de/lubrication)

[info@schaeffler.com](mailto:info@schaeffler.com)

Phone +49 9721 91-0

All information has been carefully compiled and checked by us, but we cannot guarantee complete accuracy. We reserve the right to make corrections. Therefore, please always check whether more up-to-date or amended information is available. This publication supersedes all deviating information from older publications. Printing, including excerpts, is only permitted with our permission.  
© Schaeffler Technologies AG & Co. KG  
TPI 252 / 01 / en-GB / DE /2021-03